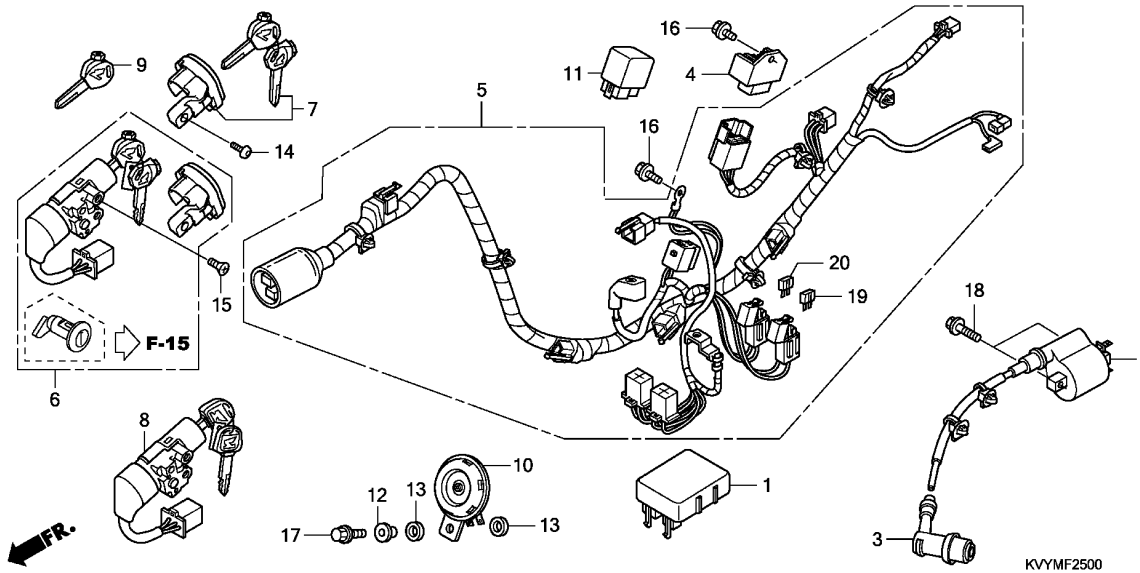


F-25

WIRE HARNESS

H 1



Ref. No.	L.O.N.	(Relative ref. Number) Description	F.R.T.
1	6141A1	IGNITION CONTROL MODULE	0.3
2	614105	COIL, IGNITION	0.6
4	6131B2	RECTIFIER, REGULATE	0.5
5	611100	HARNESS, WIRE	1.0
6	6151A1	KEY SET	1.5
7	6151A2	KEY, SHUTTER	1.0
.EXCLUDES: Key cutting			
8	615145	SWITCH, COMBINATION & LOCK ...	1.1
10	616169	HORN	0.2
11	6111C5	RELAY, STARTER	0.2

3

Ref. No.	Part No.	Description	Reqd. QTY		Serial No.	Parts catalogue code
			ANC110 CCM9	ACC110 SCB		
1	30410-KVY-971	C.D.I. UNIT	1	1		
2	30500-KVY-901	COIL ASSY., IGNITION	1	1		
3	30700-KVY-901	CAP ASSY., NOISE SUPPRESSOR ..	1	1		
4	31600-KVB-901	RECTIFIER COMP., REGULATOR ..	1	1		
5	32100-KVY-900	HARNESS, WIRE	1	1		
6	35010-KVY-900	KEY SET	1	-		
	35010-KVY-A40	-	1		
7	35011-KVY-900	SHUTTER SET, KEY	(1)	(1)		
	(9KEY TOP REORDER)					
8	35100-KVY-901	SWITCH ASSY., COMBINATION & LOCK	1	-		
	35101-KVY-A41	-	1		
9	35121-KVY-900	KEY, BLANK	(1)	(1)		
	(90KEYTOP2REORDER)					
10	38110-KVY-901	HORN COMP.	1	1		
11	38501-KVB-901	RELAY COMP., STARTER (HONDA LOCK)	1	1		
12	61105-KEV-900	COLLAR, HORN SETTING	1	1		
13	61106-KW6-840	RUBBER B, MOUNTING	2	2		
14	90106-KPH-690	BOLT, SOCKET, 6X10	1	-		
	35109-KWB-920	BOLT, SOCKET, 5X8	-	1		
15	90164-028-000	SCREW, U-LOCK FLAT, 6X12	2	2		
16	95701-06012-00	BOLT, FLANGE, 6X12	2	2		
17	95701-06014-00	BOLT, FLANGE, 6X14	1	1		
18	95701-06020-00	BOLT, FLANGE, 6X20	2	2		
19	98200-41000	FUSE, MINI(10A)	1	1		
20	98200-41500	FUSE, MINI(15A)	1	1		