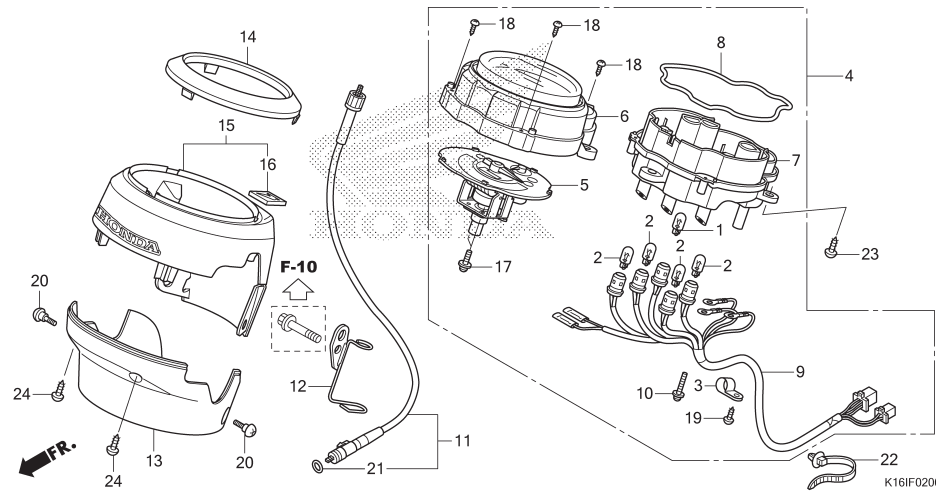


F-2

SPEEDOMETER



No. Ref.	No. Part	Deskripsi	Jumlah		No. Seri	Kode Parts Catalog
			SCOOPIY PGM-FI (ACF110CSF) 2012(D)	2014(E)		
15)	53205-K16-900TBM	*PB382M* TECHNO BLUE METALLIC	-	1	STYLISH	
	53205-K16-900WRD	*R258* WINNING RED	-	1	STYLISH	
	53205-K16-A00ZD	*Y214P* PEARL MILKY CREAM	1	-	SPORTY	
	53205-K16-A00ZE	*NH1* BLACK	1	-	SPORTY	
	53205-K16-A00ZC	*R333C* CANDY SCARLET RED	1	-	SPORTY	
16	86150-KPG-901	EMBLEM, PRODUCT (MR)	1	1		
	86150-KPG-902	EMBLEM, PRODUCT (UE)	1	1		
	86150-KTJ-C60	EMBLEM, PRODUCT (SH)	1	1		
17	90035-166-008	SCREW-WASHER, SPECIAL, 4X10	2	2		
18	90101-KY6-008	SCREW, TAPPING, 3X14	3	3		
19	90109-MZ5-008	SCREW, TAPPING, 4X14	1	1		
20	90115-KW7-900	SCREW, VISOR SPECIAL SETTING	2	2		
21	91256-KK3-840	O-RING, 10X1.5	1	1		
22	91540-KPH-902	CLIP, HARNESS BAND	1	1		
23	93903-25310	SCREW, TAPPING, 5X16	5	5		
24	93903-34380	SCREW, TAPPING, 4X12	2	2		