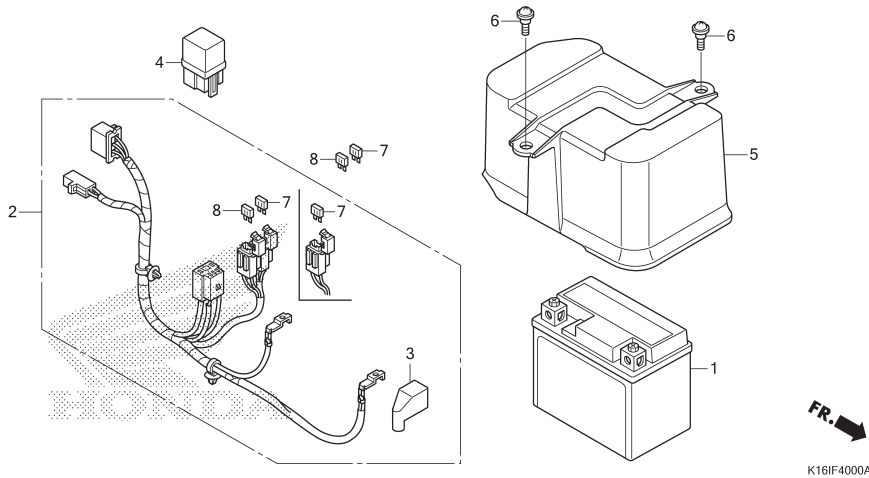


F-40

BATTERY



No. Ref.	L.O.N.	(Nomor ref. relatif) Deskripsi	F.R.T.
1	610100	BATTERY	0,2
2	6111F8	SUB HARNESS, BATTERY	1,1
4	6111C5	RELAY, STARTER	0,2
5	6101A1	COVER, BATTERY	0,1

3

No. Ref.	No. Part	Deskripsi	Jumlah		No. Seri	Kode Parts Catalog
			SCOOPY PGM-FI (ACF110CSF) 2012(D)	2014(E)		
1	31500-KWW-A01	BATTERY (GTZ4V) (GS)	1	1		
	31500-KWW-A02	BATTERY (YTZ4V) (YU)	1	1		
2	32102-K16-900	SUB HARNESS, BATTERY	1	-		
	32102-K16-A20	-	1		
3	32413-KGH-900	COVER, BATTERY TERMINAL	1	1		
4	38501-KPH-901	RELAY COMP., STARTER (OR)	1	1		
	38501-KVB-901	RELAY COMP., STARTER (HL)	1	1		
5	80110-K16-900	COVER, BATTERY	1	1		
6	91509-GE2-760	SCREW, PAN, 5X11.5	2	2		
7	98200-41000	FUSE, MINI (10A)	2	3		
8	98200-41500	FUSE, MINI (15A)	2	2		