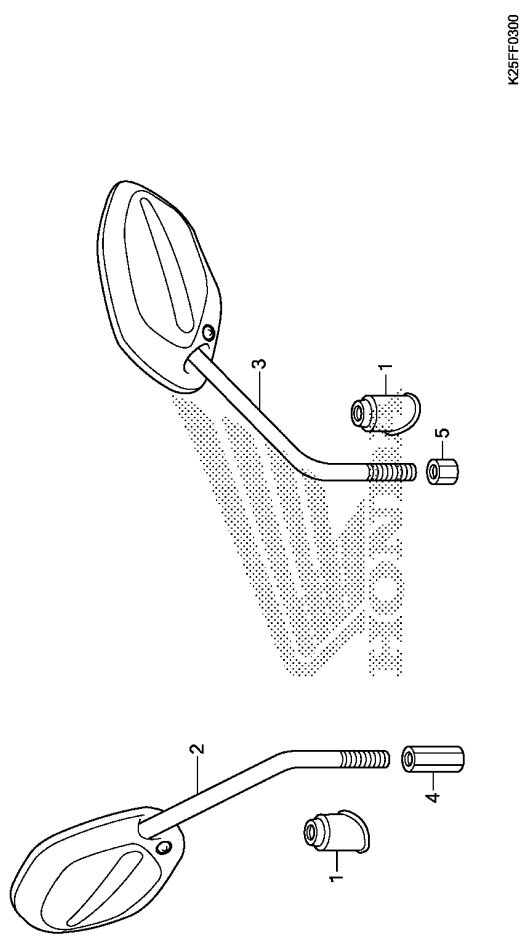


MIRROR

Ref. L.O.N. (Relative ref. Number) F.R.T.
 No. Description
 NO INFORMATION



F.R.T. →

Ref. No.	Part No.	Description	Reqd. QTY			Serial No.	Parts catalogue code
			ACH110	CSF	CBT		
			F	F	F		
1	88114-KVB-900	CAP, LOCK NUT	2				
2	88210-K25-900	MIRROR COMP., R.	1				
3	88220-K25-900	MIRROR COMP., L.	1				
4	90314-KVB-900	NUT, LOCK	1				
5	90314-KVR-600	NUT, LOCK	1				

