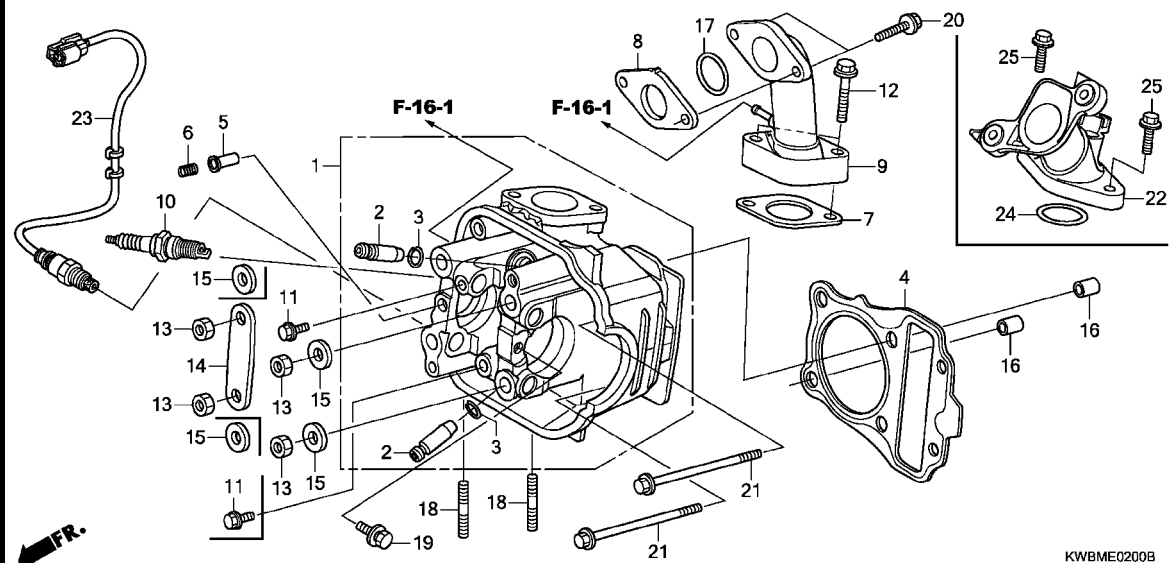


# E-2

# CYLINDER HEAD



Ref. No.	L.O.N. (Relative ref. Number)	Description	F.R.T.
23	617121	SENSOR, OXYGEN .....	0.4

2