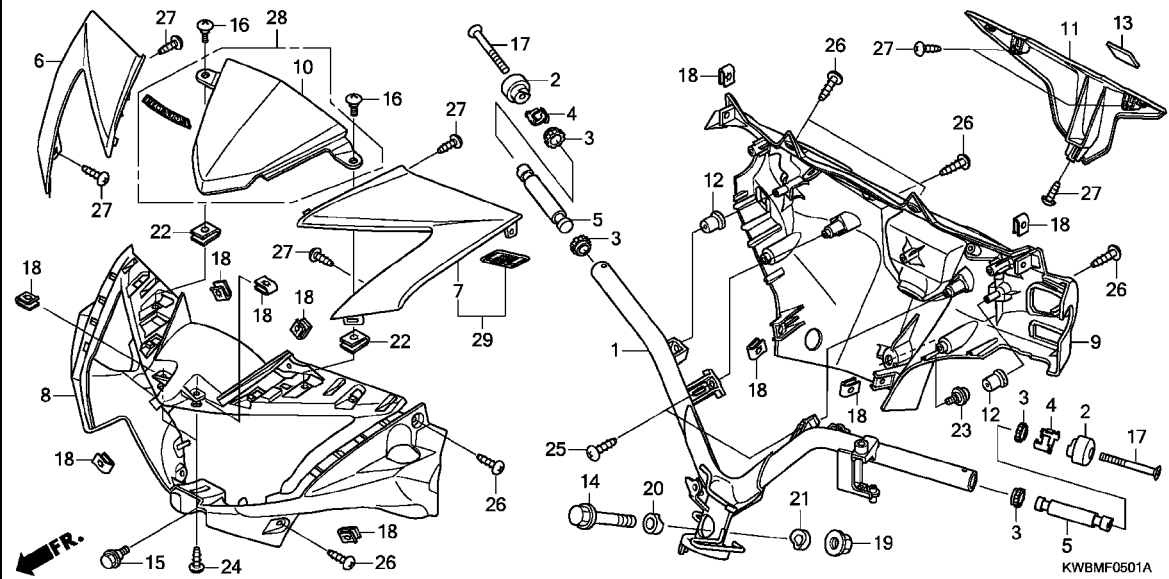


# F-5-1

# HANDLE PIPE(2)



Ref. No.	L.O.N.	(Relative ref. Number) Description	F.R.T.
1	8101H9	PIPE, STEERING HANDLE(A) (3,4) .....	1.6
5	8101D6	WEIGHT B, HANDLE :LEFT .....	0.2
	8101D7	WEIGHT B, HANDLE :RIGHT .....	0.2
	8101D8	WEIGHT B, HANDLE :BOTH .....	0.4
6	4131X1	COVER, HANDLE :UPPER .....	0.4
	.NOTE: Same time for two units		
8	4131AP	COVER, HANDLE(A) :FRONT .....	0.4
9	4131AQ	COVER, HANDLE(A) :REAR .....	1.1
	4131AR	COVER, HANDLE(A) :BOTH .....	1.3
10	8121O2	VISOR, METER .....	0.4
11	8121E6	COVER, SPEEDOMETER .....	0.9

Ref. No.	Part No.	Description	Reqd. QTY							Serial No.	Parts catalogue code	
			MCS B	MCS C	MCS D	AFP110 MCS E	MCR E	KCS B	CSF G			CRF G
1	53100-K07-940	PIPE COMP., STEERING HANDLE (DISK)	-	-	-	1	1	-	-	-		
	53100-K07-M50	PIPE COMP., STEERING HANDLE	-	-	-	-	-	-	1	1		
2	53105-KW-640	WEIGHT A, STEERING HANDLE	-	-	-	2	2	-	-	-		
	53105-K07-M50	.....	-	-	-	-	-	-	2	2		
3	53107-KW-930	RUBBER, HANDLE WEIGHT	-	-	-	4	4	-	4	4		
4	53108-KR3-770	RING, HANDLE WEIGHT SNAP	-	-	-	2	2	-	2	2		
5	53125-KW-640	WEIGHT B, STEERING HANDLE	-	-	-	2	2	-	2	2		
6	53203-K07-940ZD	COVER, R. HANDLE TOP *NHA69P*										
		PEARL MAGELLANIC BLACK	-	-	-	1	1	-	1	1	-----	MA
	53203-K07-940ZK	*R331*.....VIVACITY RED	-	-	-	1	1	-	1	1	-----	MA
	53203-K07-940ZL	*NH411M*FORCE SILVER METALLIC	-	-	-	1	1	-	-	-	-----	MA
	53203-K07-940ZJ	*YR308*.....LUMINOUS ORANGE	-	-	-	1	-	-	-	-	-----	MA
		.....	-	-	-	-	1	-	1	-	-----	2MA
	53203-K07-940ZH	*B206M*...VITAL BLUE METALLIC	-	-	-	-	-	-	1	1	-----	MA
7	53204-K07-940ZD	COVER, L. HANDLE TOP *NHA69P*										
		PEARL MAGELLANIC BLACK	-	-	-	1	1	-	-	-	-----	MA
	53204-K07-940ZK	*R331*.....VIVACITY RED	-	-	-	1	1	-	-	-	-----	MA
	53204-K07-940ZL	*NH411M*FORCE SILVER METALLIC	-	-	-	1	1	-	-	-	-----	MA
	53204-K07-940ZJ	*YR308*.....LUMINOUS ORANGE	-	-	-	1	-	-	-	-	-----	MA
		.....	-	-	-	-	1	-	-	-	-----	2MA
8	53205-K07-940	COVER, FR. HANDLE	-	-	-	1	1	-	1	1		
9	53206-K07-M00	COVER, RR. HANDLE	-	-	-	1	1	-	-	-		
	53206-K07-M50	.....	-	-	-	-	-	-	1	1		
10	53207-K07-M00	VISOR, FR.	-	-	-	1	1	-	-	-		

