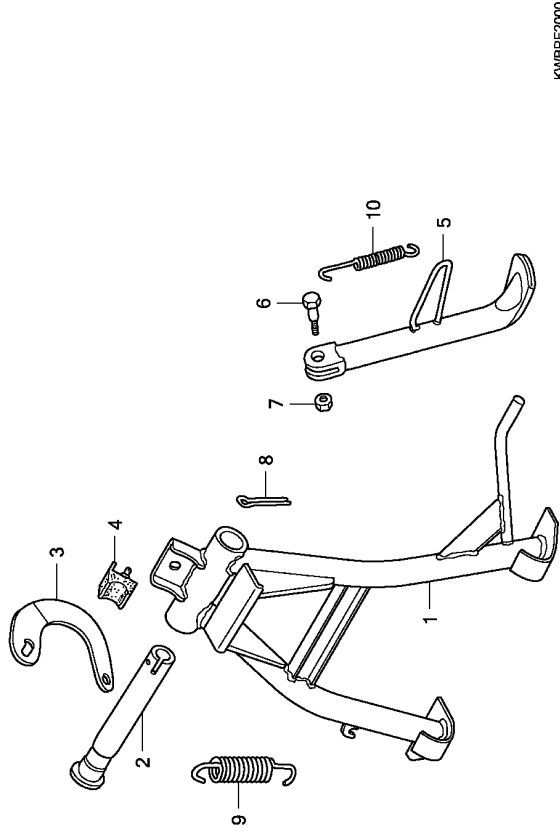


Ref. No.	L.O.N.	(Relative ref. Number)	Description	F.R.T.
1	410175	(2)	STAND, MAIN	0.5
5	410180	(3)	BAR, SIDE STAND	0.2
9	410176	(3)	SPRING, MAIN STAND	0.2
10	410182	(3)	SPRING, SIDE STAND	0.1



Ref. No.	Part No.	Description	Reqd. QTY	Serial No.	Parts catalogue code
1	50500-KWB-920	STAND COMP., MAIN	1		
2	50512-KWB-620	SHAFT, RR. BRAKE PIVOT	1		
3	50523-KWB-920	HOOK, MAIN STAND SPRING	1		
4	50524-397-000	RUBBER, STAND STOPPER	1		
5	50530-KWB-920	BAR COMP., SIDE STAND	1		
6	90108-223-000	SCREW, SIDE STAND PIVOT	1		
7	94002-10000-0S	NUT, HEX., 10MM	1		
8	94201-30300	PIN, SPLIT, 3.0X30	1		
9	95014-71102	SPRING A, MAIN STAND	1		
10	95014-72102	SPRING A, SIDE STAND	1		