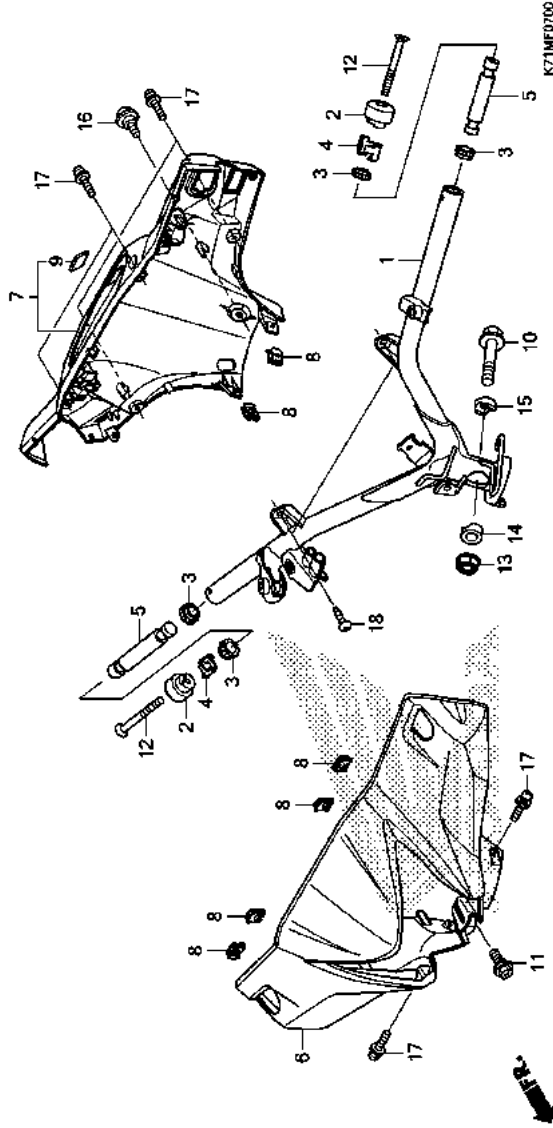


F-7

HANDLE PIPE/HANDLE COVER

Ref. No.	L.O.N.	(Relative ref. Number)	Description	F.R.T.
1	810100	PIPE, STEERING HANDLE	1.4
5	8101D6	WEIGHT B, HANDLE :LEFT	0.2
	8101D7	WEIGHT B, HANDLE :RIGHT	0.5
	8101D8	WEIGHT B, HANDLE :BOTH	0.7
6	4131B5	COVER, HANDLE :FRONT	0.3
7	4131B6	COVER, HANDLE :REAR	0.4
	4131U1	COVER, HANDLE :BOTH	0.5



Ref. No.	Part No.	Description	Reqd. QTY			Serial No.	Parts catalogue code
			AFS110	MCS	MD		
			L	L	L		
1	53100-K71-M40	PIPE COMP., STEERING HANDLE (DISK)	1	-	-		
	53100-K71-M30	PIPE COMP., STEERING HANDLE (DRUM)	-	1	-		
2	53105-K07-M50	WEIGHT A, STEERING HANDLE	2	2	-		
3	53107-KW7-930	RUBBER, HANDLE WEIGHT	4	4	-		
4	53108-KRS-830	RING, HANDLE WEIGHT SNAP	2	2	-		
5	53109-KVR-C00	WEIGHT B, STEERING HANDLE	2	2	-		
6	53205-K71-MB0ZB	COVER, FR. HANDLE *R331*	1	-	-		
	53205-K71-MB0ZD	*PB407P* PEARL NIGHTFALL BLUE	1	-	-		
	53205-K71-MB0ZE	*NHAG9P*	-	-	-		
	53205-K71-MA0ZA	PEARL MAGELLANIC BLACK	1	-	-		
	53205-K71-MA0ZC	*R331* PEARL MAGELLANIC BLACK	1	-	-		
	53205-K71-MA0ZD	*NHAG9P* PEARL MAGELLANIC BLACK	-	1	-		
	53205-K71-MA0ZE	*PB407P* PEARL NIGHTFALL BLUE	-	1	-		
7	53250-K71-MA0ZA	COVER COMP., HANDLE *NH1*	1	1	-		
	53250-K71-MA0ZB	*NH1* PEARL MAGELLANIC BLACK	1	1	-		
	53250-K71-MA0ZC	*NH1* PEARL NIGHTFALL BLUE	1	1	-		
	53250-K71-MA0ZD	*NH1* PEARL NIGHTFALL BLUE	1	1	-		
8	64521-MN5-000	NUT, CLIP, 4MM	6	6	-		
9	86150-GFC-901	EMBLEM, PRODUCT (MARUI)	1	1	-		
	86150-KTJ-C60	EMBLEM, PRODUCT (SHINKO)	1	1	-		
	86150-KYS-940	EMBLEM, PRODUCT (SHINKO ASIA)	1	1	-		
10	90102-KW-640	BOLT, FLANGE, 10X48	1	1	-		
11	90103-K09-C00	BOLT, FR. HANDLE COVER	1	1	-		
12	90126-KVR-650	SCREW, STEERING HANDLE WEIGHT	2	2	-		
	90191-K41-N21	SCREW, OVAL, 6X50	2	2	-		