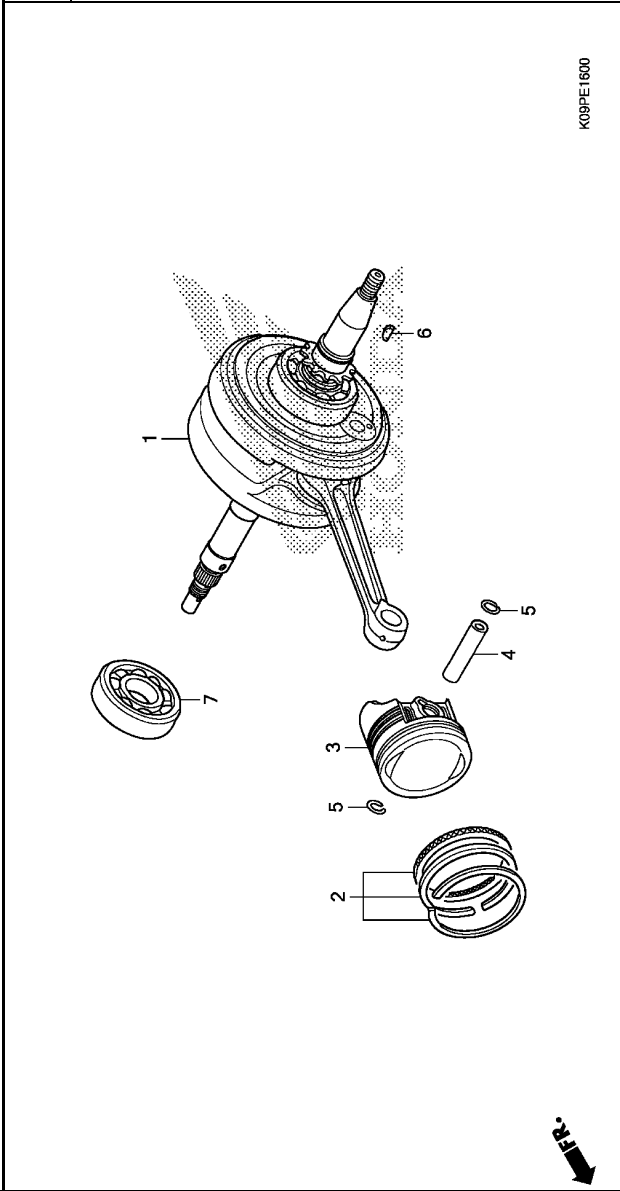


CRANKSHAFT/PISTON

Ref. No.	L.O.N.	(Relative ref. Number)	Description	F.R.T.
1	1101B5	CRANKSHAFT	.....	3.1
3	111103	PISTON RING AND/OR PISTON(ONE)	INCLUDES: Engine removal and installation (2,4,5)	1.6
7	1101B7	BEARING, CRANKSHAFT :RIGHT	.....	3.0
			INCLUDES: Engine removal and installation	



Ref. No.	Part No.	Description	Reqd. QTY			Serial No.	Parts catalogue code
			AFS110	MD	MCD		
1	13000-K09-C00	CRANKSHAFT COMP. ....	1	1			
2	13011-KMW-740	RING SET, PISTON(STD.) (RIKEN)	(1)	(1)			
	13021-KMW-740	RING SET, PISTON(0.25) (RIKEN)	(1)	(1)			
	13031-KMW-740	RING SET, PISTON(0.50) (RIKEN)	(1)	(1)			
	13041-KMW-740	RING SET, PISTON(0.75) (RIKEN)	(1)	(1)			
	13051-KMW-740	RING SET, PISTON(1.00) (RIKEN)	(1)	(1)			
3	13101-KMW-740	PISTON(STD.) .....	1	1			
	13102-KMW-740	PISTON(0.25) .....	(1)	(1)			
	13103-KMW-740	PISTON(0.50) .....	(1)	(1)			
	13104-KMW-740	PISTON(0.75) .....	(1)	(1)			
	13105-KMW-740	PISTON(1.00) .....	(1)	(1)			
4	13111-KVR-C00	PIN, PISTON .....	1	1			
5	13115-KVR-C00	CLIP, PISTON PIN .....	2	2			
6	90741-003-010	KEY, WOODRUFF, 4MM .....	1	1			
7	91001-KMW-C01	BEARING, RADIAL BALL(63/22) ..	1	1			