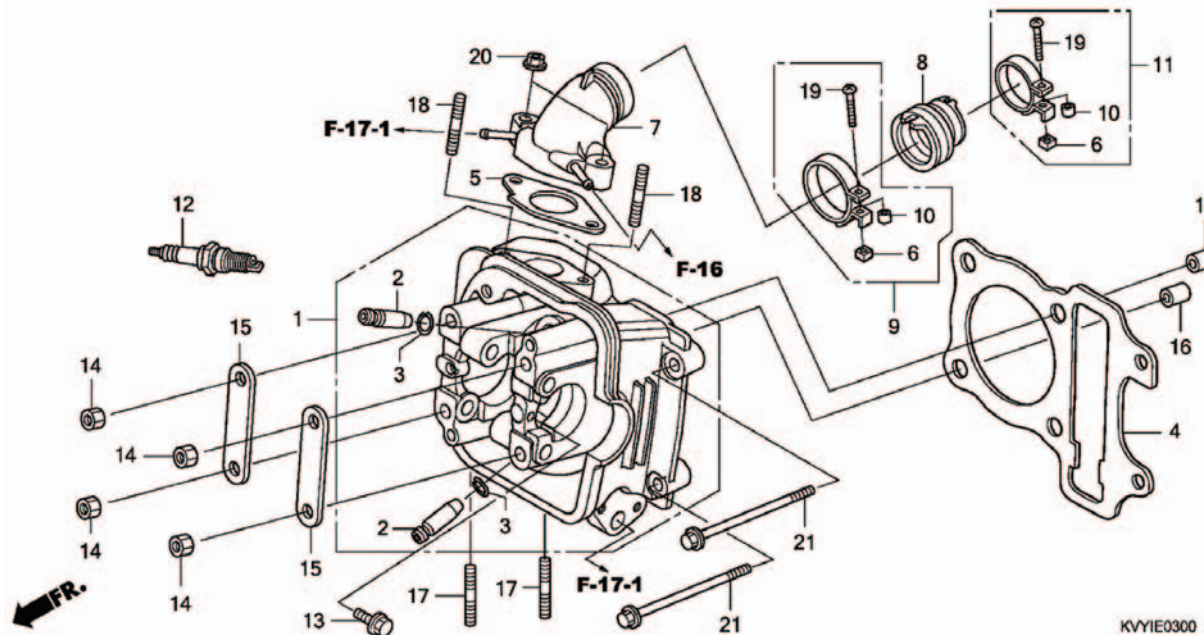


E - 3 Cylinder Head



KVYIE0300

Service item	F.R.T.	No.	Part Number	Description	QTY	Notes
1 HEAD, CYLINDER.....	2.7	1	12200-KVY-900	HEAD COMP., CYLINDER	1	
2 GUIDE, INTAKE VALVE(ONE).....	2.4	2	12204-KVY-900	GUIDE, VALVE	2	
GUIDE, EXHAUST VALVE(ONE).....	2.4	3	12206-KPL-900	CLIP, VALVE GUIDE	2	
GUIDE, VALVE :FOR 1 VEHICLE.....	2.7	4	12251-KVY-901	GASKET, CYLINDER HEAD	1	
4 GASKET, CYLINDER HEAD.....	1.5	5	16201-KVY-900	GASKET, CARBURETOR INSULATOR	1	
7 MANIFOLD, INTAKE.....	0.6	6	16222-MV4-300	NUT, SQUARE, 5MM	2	
8 INSULATOR, THROTTLE BODY/ CARBURETOR.....	0.6	7	17110-KVY-900	PIPE, INLET	1	
		8	17112-KVY-900	INSULATOR, CARBURETOR	1	
12 PLUG, SPARK.....	0.2	9	17256-KVY-900	BAND A, INSULATOR	1	
		10	17257-KVB-900	COLLAR	2	
		11	17258-KVY-900	BAND B, INSULATOR	1	
		12	31916-KRM-841	PLUG, SPARK (CPR8EA-9)	1	
			31928-MFF-D01	PLUG, SPARK (U24EPR9)	1	
		13	90001-KVY-900	BOLT, FLANGE, 6X10	1	
		14	90201-GCC-000	NUT, HEX., 7MM	4	
		15	90401-KVY-900	PLATE, PLUNGER	2	
		16	90701-KFM-900	DOWEL PIN, SPECIAL, 8X14	2	
		17	92900-060120B	BOLT, STUD, 6X12	2	
		18	92900-060280B	BOLT, STUD, 6X28	2	
		19	93500-050250H	SCREW, PAN, 5X25	2	
		20	94050-06000	NUT, FLANGE, 6MM	2	
		21	95701-0610000	BOLT, FLANGE, 6X100	2	