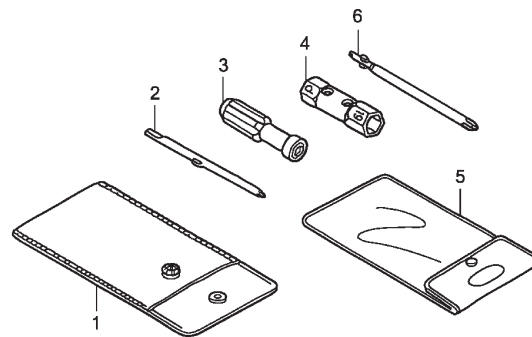


F - 29

Tools



KVBIF2900

| Service item | F.R.T. | No. | Part Number | Description | QTY ANC110 | Notes |
|-----------------|--------|-----|---------------|-----------------------------|---------------|-------|
| NOT INFORMATION | - | 1 | 83642-171-000 | BAG, OWNERS MANUAL | 1 | |
| | | 2 | 89102-538-000 | SHAFT, SCREW DRIVER | 1 | |
| | | 3 | 89103-538-000 | GRIP | 1 | |
| | | 4 | 89216-GBG-770 | WRENCH, SPARK PLUG | 1 | |
| | | 5 | 89219-KGH-900 | BAG, TOO, 160MM | 1 | |
| | | 6 | 99003-20000 | DRIVER 2, PLUS SCREW (NO.3) | 1 | |