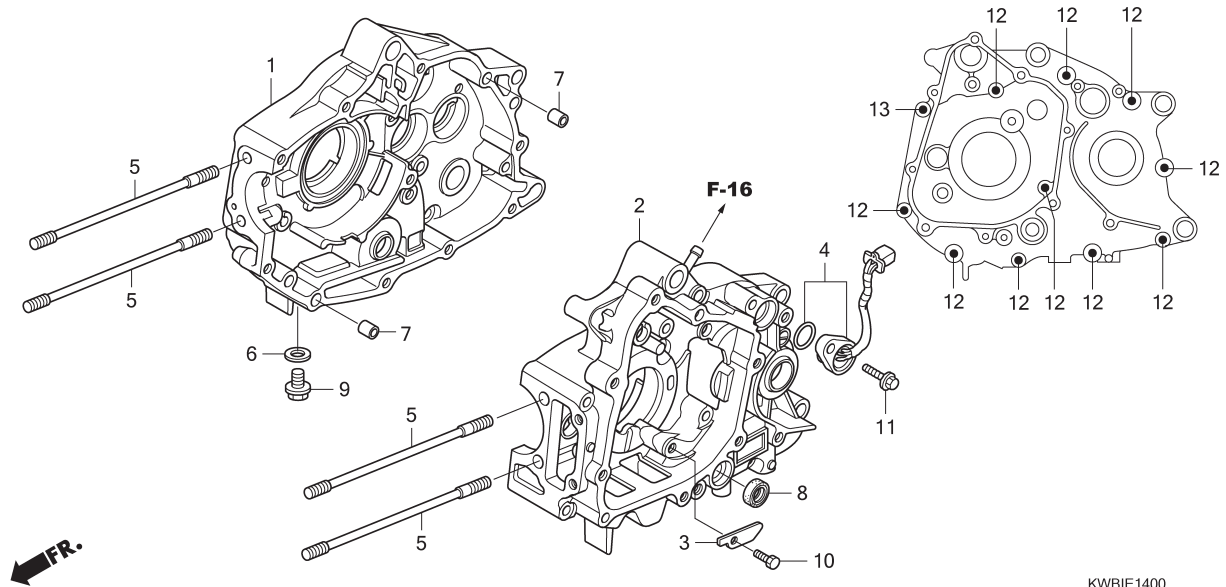


E - 14 Crankcase



KWBIE1400

Service item	F.R.T.	No.	Part Number	Description	QTY	Notes
1 CRANKCASE :RIGHT.....	3.3	1	11100-KWB-600	CRANKCASE COMP., R.	1	
.INCLUDES: Engine removal and installation		2	11200-KWB-920	CRANKCASE COMP., L.	1	
CRANKCASE :BOTH.....	3.6	3	11218-KWB-600	PLATE, OIL STOPPER	1	
.INCLUDES: Engine removal and installation		4	35759-KWB-920	CONTACT ASSY., CHANGE SWITCH	1	
		5	90031-KWB-600	BOLT, STUD, 7X180.5	4	
		6	90407-259-000	PACKING, DRAIN COCK, 12.5X20	1	
2 CRANKCASE :LEFT	2.9	7	90703-HC4-000	DOWEL PIN, 10X14	2	
.INCLUDES: Engine removal and installation		8	91208-KWB-601	OIL SEAL, 11.6X22X7	1	
CRANKCASE :BOTH.....	3.6	9	92800-12000	BOLT, DRAIN PLUG, 12MM	1	
.INCLUDES: Engine removal and installation		10	93101-06014-0A	BOLT, HEX., 6X14	1	
		11	95701-06018-00	BOLT, FLANGE, 6X18	1	
		12	96001-06060-00	BOLT, FLANGE, 6X60	10	
		13	96001-06075-00	BOLT, FLANGE, 6X75	1	
4 SWITCH, GEAR CHANGE.....	0.2					
8 OIL SEAL, GEARSHIFT SPINDLE.....	1.2					