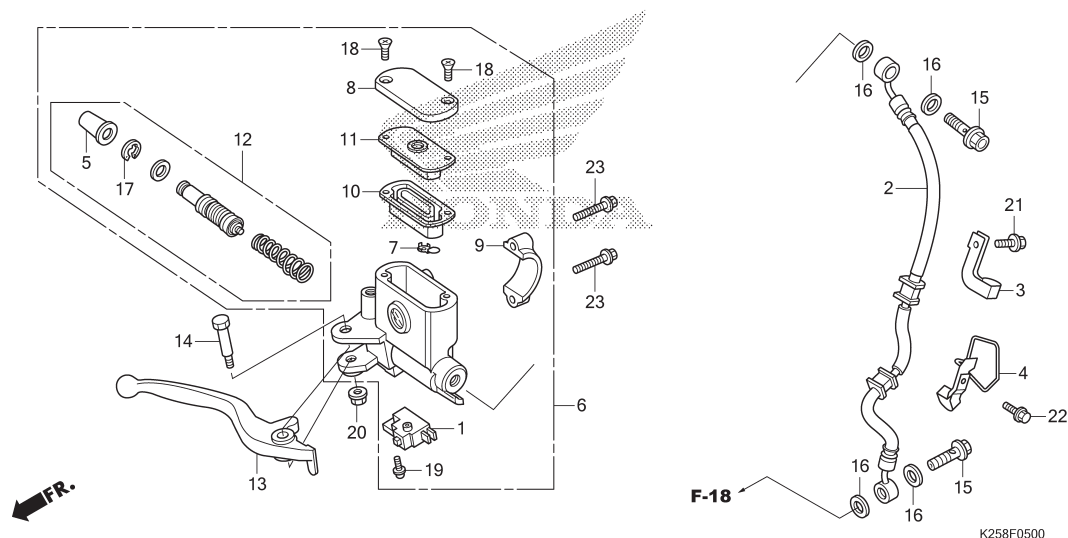


F-5

FRONT BRAKE MASTER CYLINDER



| No. Ref. | L.O.N. | (Nomor ref. relatif) Deskripsi | F.R.T. |
|----------|--------|--|--------|
| 1 | 6151B2 | SWITCH, FRONT STOP | 0,3 |
| | 6151B6 | SWITCH, STOP :KEDUA-DUANYA | 0,5 |
| 2 | 7121A0 | HOSE, FRONT BRAKE | 0,7 |
| 6 | 712105 | .TERMASUK: Pengeluaran minyak rem CYLINDER, FRONT BRAKE MASTER | 0,5 |
| 10 | 7121G6 | .TERMASUK: Pengeluaran minyak rem DIAPHRAGM, FRONT BRAKE MASTER CYLINDER | 0,1 |
| 12 | 7121G9 | PISTON SET, FRONT BRAKE MASTER | 0,5 |
| | | .TERMASUK: Pengeluaran minyak rem | |
| 13 | 8101C7 | LEVER, HANDLE :KANAN | 0,3 |
| | 8101F5 | LEVER, HANDLE :KEDUA-DUANYA | 0,4 |

3

| No. Ref. | No. Part | Deskripsi | Jumlah | | | No. Seri | Kode Parts Catalog |
|----------|----------------|--|--------|--------------------|-------|----------|--------------------|
| | | | CW | BEAT PGM-FI CBS | SPOKE | | |
| 1 | 35340-KWB-601 | SWITCH ASSY., FR. STOP | 1 | - | 1 | | |
| 2 | 45126-K25-901 | HOSE COMP., FR. BRAKE | 1 | - | 1 | | |
| 3 | 45156-KYT-900 | CLAMPER A, BRAKE HOSE | 1 | - | 1 | | |
| 4 | 45157-KVB-T00 | CLAMPER B, BRAKE HOSE | 1 | - | 1 | | |
| 5 | 45504-410-004 | BOOT COMP. | 1 | - | 1 | | |
| 6 | 45510-KZR-601 | CYLINDER SUB ASSY., FR. BRAKE MASTER(NI) ... | 1 | - | 1 | | |
| 7 | 45512-MA6-007 | PROTECTOR | 1 | - | 1 | | |
| 8 | 45513-GW0-913 | CAP, MASTER CYLINDER | 1 | - | 1 | | |
| 9 | 45517-GW0-751 | HOLDER, MASTER CYLINDER | 1 | - | 1 | | |
| 10 | 45520-GW0-912 | DIAPHRAGM | 1 | - | 1 | | |
| 11 | 45521-GW0-911 | PLATE, DIAPHRAGM | 1 | - | 1 | | |
| 12 | 45530-KVY-911 | CYLINDER SET, MASTER | 1 | - | 1 | | |
| 13 | 53175-KRS-T80 | LEVER, R. STEERING HANDLE | 1 | - | 1 | | |
| 14 | 90114-KGH-900 | BOLT, HANDLE LEVER PIVOT | 1 | - | 1 | | |
| 15 | 90145-KPH-B30 | BOLT, OIL, 10X22(NI) | 2 | - | 2 | | |
| 16 | 90545-300-000 | WASHER, OIL BOLT | 4 | - | 4 | | |
| 17 | 90651-MA5-671 | CIRCLIP | 1 | - | 1 | | |
| 18 | 93600-04012-16 | SCREW, FLAT, 4X12 | 2 | - | 2 | | |
| 19 | 93893-04012-17 | SCREW-WASHER, 4X12 | 1 | - | 1 | | |
| 20 | 94050-0600 | NUT, FLANGE, 6MM | 1 | - | 1 | | |
| 21 | 95701-06012-00 | BOLT, FLANGE, 6X12 | 1 | - | 1 | | |
| 22 | 95701-06014-0 | BOLT, FLANGE, 6X14 | 1 | - | 1 | | |
| 23 | 96001-06022-00 | BOLT, FLANGE, 6X22 | 2 | - | 2 | | |