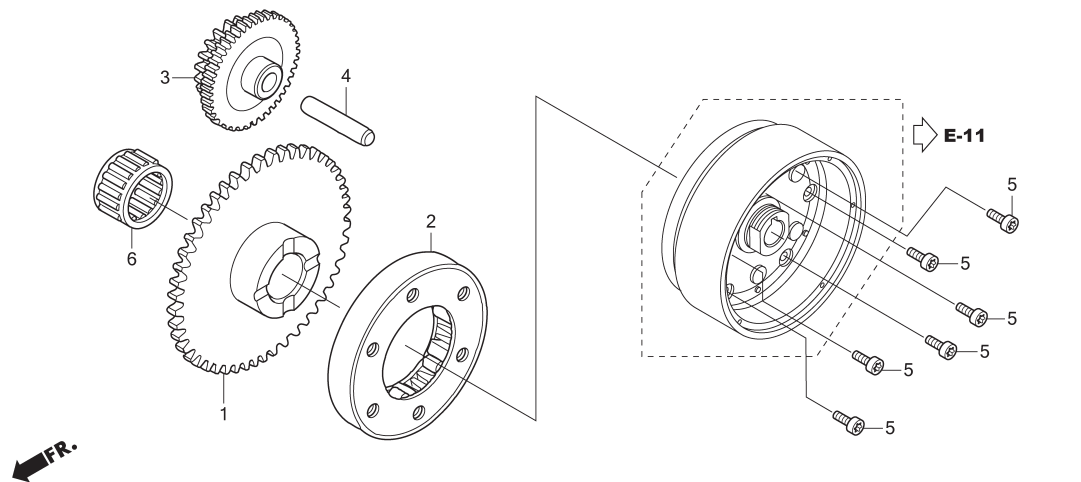


E-9

STARTING CLUTCH



K078E0900

No. Ref.	L.O.N.	(Nomor ref. relatif) Deskripsi	F.R.T.
1	(6)		
612120		GEAR, STARTER DRIVEN.....	0,7
6121A2		CLUTCH, STARTING ONE WAY.....	0,8
612125		GEAR, STARTER REDUCTION.....	0,5



No. Ref.	No. Part	Deskripsi	Jumlah BLADE	No. Seri	Kode Parts Catalog
1	28110-KZV-T11	GEAR COMP., STARTER DRIVEN(55T)(FC)	1		
	28111-KWW-740	GEAR, STARTER DRIVEN(55T)	1		
2	28120-KPH-701	CLUTCH ASSY., ONE WAY(EX)	1		
	28120-KWB-921	CLUTCH ASSY., ONE WAY(MU)	1		
3	28130-KWW-740	GEAR COMP., STARTER REDUCTION(55T/14T)	1		
	28133-KWW-A80	GEAR, STARTER REDUCTION	1		
4	28132-KPH-900	SHAFT, REDUCTION GEAR	1		
5	90085-KWC-7A0	BOLT, SOCKET, 6X14	6		
6	91011-KWW-741	BEARING, NEEDLE, 21X27X18(NT)	1		