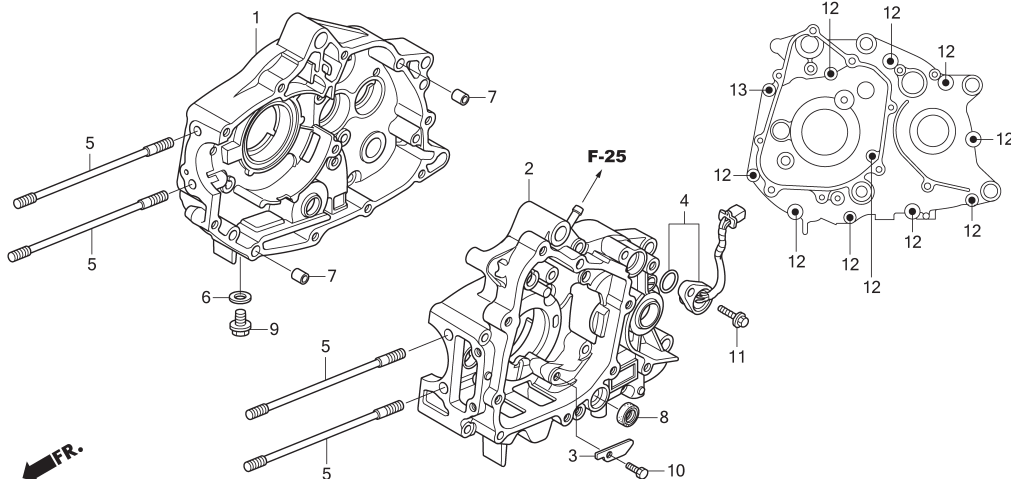


E-15

CRANKCASE



K078E1500

No. Ref.	L.O.N.	(Nomor ref. relatif) Deskripsi	F.R.T.
1	110120	CRANKCASE :RIGHT..... .TERMASUK: Penurunan dan pemasangan mesin	4,1
2	110115	CRANKCASE :LEFT..... .TERMASUK: Penurunan dan pemasangan mesin	3,4
	1101A2	CRANKCASE :BOTH..... .TERMASUK: Penurunan dan pemasangan mesin	4,4
4	615125	SWITCH, GEAR CHANGE.....	0,2
8	1101F9	OIL SEAL, GEARSHIFT SPINDLE.....	1,2

No. Ref.	No. Part	Deskripsi	Jumlah BLADE	No. Seri	Kode Parts Catalog
1	11101-KWW-740	CRANKCASE COMP., R.	1		
2	11201-KWW-740	CRANKCASE COMP., L.	1		
3	11218-KWW-740	PLATE, OIL STOPPER	1		
4	35759-K07-900	CONTACT ASSY., CHANGE SWITCH	1		
5	90031-KWB-600	BOLT, STUD, 7X180.5	4		
6	90407-259-000	PACKING, DRAIN COCK, 12.5X20	1		
7	90703-HC4-001	DOWEL PIN, 10X14	2		
8	91208-KWB-601	OIL SEAL, 11.6X22X7	1		
9	92800-12000	BOLT, DRAIN PLUG, 12MM	1		
10	93101-KWB-8A0	BOLT, HEX., 6X14	1		
11	95701-06018-00	BOLT, FLANGE, 6X18	1		
12	96001-06060-01	BOLT, FLANGE, 6X60	10		
13	96001-06075-01	BOLT, FLANGE, 6X75	1		