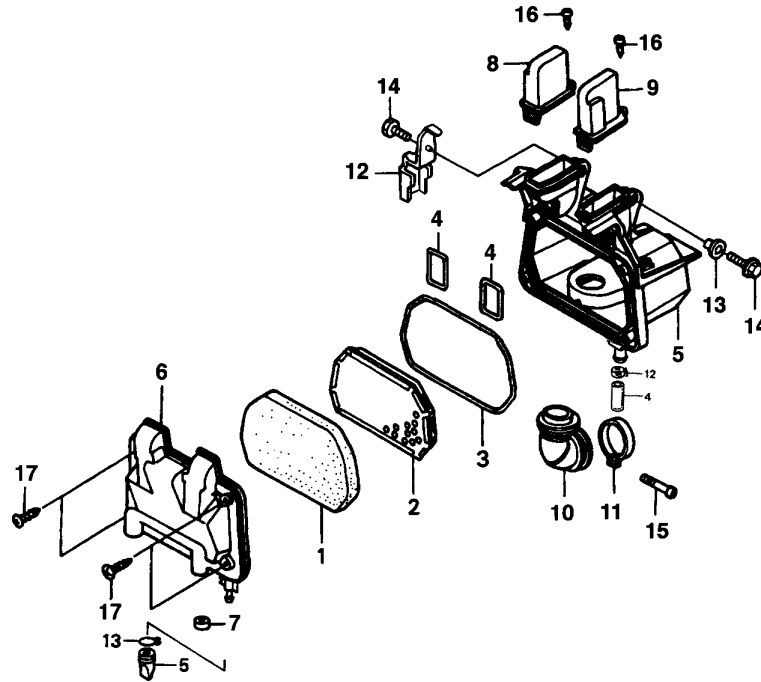


F - 15

Air cleaner



KRST

Service item	F.R.T.	No.	Part Number	Description	Q'ty	Notes
ELEMENT, AIR CLEANER	0.3	1	17205-GN5-900	ELEMENT, AIR CLEANER	1	
TUBE, AIR CLEANER CONNECTING		2	17212-GN5-900	TRAP COMP., FRAME	1	
CASE, AIR CLEANER	0.4	3	17213-GN5-900	SEAL, AIR CLEANER COVER	1	
COVER, AIR CLEANER CASE	0.2	4	17214-GN5-900	SEAL, AIR CLEANER CASE	2	
		5	17230-KFV-950	CASE, AIR CLEANER	1	
		6	17231-KFL-840	COVER, AIR CLEANER CASE	1	
		7	17232-GN5-830	PLUG, AIR CLEANER DRAIN	2	
		8	17233-GN5-900	CAP, R. DUCT	1	
		9	17234-GN5-900	CAP, L. DUCT	1	
		10	17253-GN5-900	TUBE, AIR CLEANER CONNECTING	1	
		11	17256-053-010	BAND B, AIR CLEANER CONNECTING	1	
		12	50154-KEV-900	GUIDE, AIR VENT TUBE	1	
		13	90522-028-000	WASHER, CHAIN CASE	1	
		14	92101-06012-0A	BOLT, HEX., 6X12	2	
		15	93500-05020-0A	SCREW, PAN, 5X20	1	
		16	93901-24310	SCREW, TAPPING, 4X12	2	
		17	93903-25410	SCREW, TAPPING, 5X16	4	