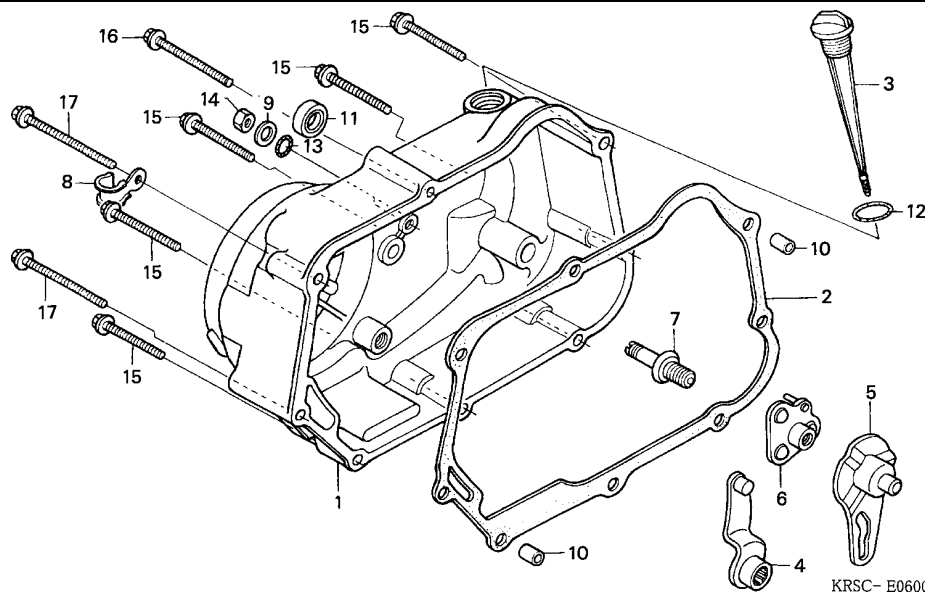


E-6

RIGHT CRANKCASE COVER

D 6



Service item	F.R.T.
GASKET, R. CRANKCASE COVER ...	0.6
.OIL SEAL, 13.8X24X5	
.PLATE, CLUTCH LIFTER CAM	
LEVER COMP., CLUTCH .....	0.7
(INC. RELATIVE PART)	
.LIFTER COMP., CLUTCH	
(INC. RELATIVE PART)	
COVER COMP., R. CRANKCASE ....	0.8

Ref. No.	Part No.	Description	Reqd. QTY NF100MSH 3	Serial No.	Parts catalogue code
1	11330-KRS-830	COVER COMP., R. CRANKCASE ...	1		
2	11394-KRS-830	GASKET, R. CRANKCASE COVER ..	1		
3	15651-KRS-830	GAUGE, OIL LEVEL .....	1		
4	22810-KRS-830	LEVER COMP., CLUTCH .....	1		
5	22823-KRS-830	PLATE, CLUTCH LIFTER CAM ....	1		
6	22840-KRS-830	LIFTER COMP., CLUTCH .....	1		
7	22846-KRS-830	BOLT, CLUTCH ADJUSTING .....	1		
8	32921-KRS-830	CLIP, DYNAMO CORD .....	1		
9	90485-KRS-830	WASHER, 8MM .....	1		
10	90702-KRS-830	DOWEL PIN, 8X12 .....	2		
11	91202-KRS-830	OIL SEAL, 13.8X24X5 .....	1		
12	91307-KRS-830	O-RING, 18X3 .....	1		
13	91312-KRS-830	O-RING, 8MM .....	1		
14	94030-08000	NUT, HEX., 8MM .....	1		
15	96001-06040-00	BOLT, FLANGE, 6X40 .....	5		
16	96001-06065-00	BOLT, FLANGE, 6X65 .....	1		
17	96001-06080-00	BOLT, FLANGE, 6X80 .....	2		

2