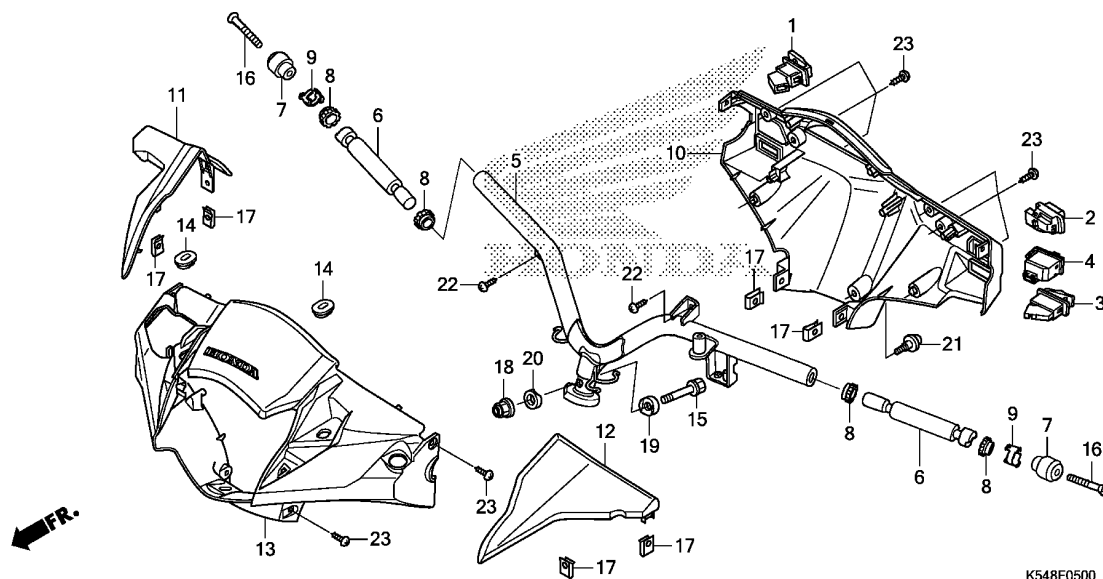


**F-5**

**HANDLE PIPE/HANDLE COVER/SWITCH**

**F 5**



| Ref. No. | L.O.N. | (Relative ref. Number) Description | F.R.T. |
|----------|--------|------------------------------------|--------|
| 1        | 615116 | SWITCH, STARTER .....              | 0.3    |
| 2        | 615117 | SWITCH, DIMMER .....               | 0.3    |
| 3        | 6151A3 | SWITCH, HORN .....                 | 0.3    |
| 4        | 615118 | SWITCH, WINKER .....               | 0.3    |
| 5        | 810100 | PIPE, STEERING HANDLE .....        | 0.7    |
| 6        |        | (8,9)                              |        |
|          | 8101D6 | WEIGHT B, HANDLE :LEFT .....       | 0.2    |
|          | 8101D7 | WEIGHT B, HANDLE :RIGHT .....      | 0.2    |
|          | 8101D8 | WEIGHT B, HANDLE :BOTH .....       | 0.4    |
| 10       | 4131B6 | COVER, HANDLE :REAR .....          | 0.5    |
| 11       | 4131EL | GARNISH, HANDLE :RIGHT .....       | 0.3    |
| 12       | 4131EK | GARNISH, HANDLE :LEFT .....        | 0.3    |
|          | 4131EM | GARNISH, HANDLE :BOTH .....        | 0.4    |
| 13       | 4131B5 | COVER, HANDLE :FRONT .....         | 0.3    |
|          | 4131U1 | COVER, HANDLE :BOTH .....          | 0.6    |

**3**

| Ref. No. | Part No.        | Description   | Reqd. QTY      | Serial No. | Parts catalogue code |
|----------|-----------------|---|----------------|------------|----------------------|
|          |                 |   | ANF125MWH<br>F |            |                      |
| 1        | 35160-GGC-901   | SWITCH UNIT, STARTER .....                              | 1              |            |                      |
| 2        | 35170-GGC-901   | SWITCH UNIT, DIMMER .....                               | 1              |            |                      |
| 3        | 35180-GGC-901   | SWITCH UNIT, HORN .....                                 | 1              |            |                      |
| 4        | 35200-GGC-901   | SWITCH UNIT, WINKER .....                               | 1              |            |                      |
| 5        | 53100-K54-H00   | PIPE COMP., STEERING HANDLE .....                       | 1              |            |                      |
| 6        | 53104-KPH-950   | WEIGHT B, STEERING HANDLE .....                         | 2              |            |                      |
| 7        | 53105-KPH-970   | WEIGHT A, STEERING HANDLE .....                         | 2              |            |                      |
| 8        | 53106-KR3-000   | RUBBER A, HANDLE WEIGHT .....                           | 4              |            |                      |
| 9        | 53108-KR3-770   | RING, HANDLE WEIGHT SNAP .....                          | 2              |            |                      |
| 10       | 53206-K54-H00   | COVER, RR. HANDLE .....                                 | 1              |            |                      |
| 11       | 53207-K54-H00ZA | GARNISH, R. HANDLE FR.<br>*YR249C*..CANDY ENERGY ORANGE | 1              |            |                      |
|          | 53207-K54-H00ZB | *R340C*.....CANDY ROSY RED                              | 1              |            |                      |
|          | 53207-K54-H00ZC | *NHA96P*PEARL METALLOID WHITE                           | 1              |            |                      |
|          | 53207-K54-H00ZD | *NHA35M*<br>ASTEROID BLACK METALLIC                     | 1              |            |                      |
| 12       | 53208-K54-H00ZA | GARNISH, L. HANDLE FR.<br>*YR249C*..CANDY ENERGY ORANGE | 1              |            |                      |
|          | 53208-K54-H00ZB | *R340C*.....CANDY ROSY RED                              | 1              |            |                      |
|          | 53208-K54-H00ZC | *NHA96P*PEARL METALLOID WHITE                           | 1              |            |                      |
|          | 53208-K54-H00ZD | *NHA35M*<br>ASTEROID BLACK METALLIC                     | 1              |            |                      |
| 13       | 53250-K54-H00ZA | COVER SET, FR. HANDLE(WL)<br>*TYPE1*.....               | 1              |            |                      |
| 14       | 83542-KPN-900   | GROMMET, SIDE COVER .....                               | 2              |            |                      |
| 15       | 90106-GN5-900   | BOLT, FLANGE, 10X50 .....                               | 1              |            |                      |