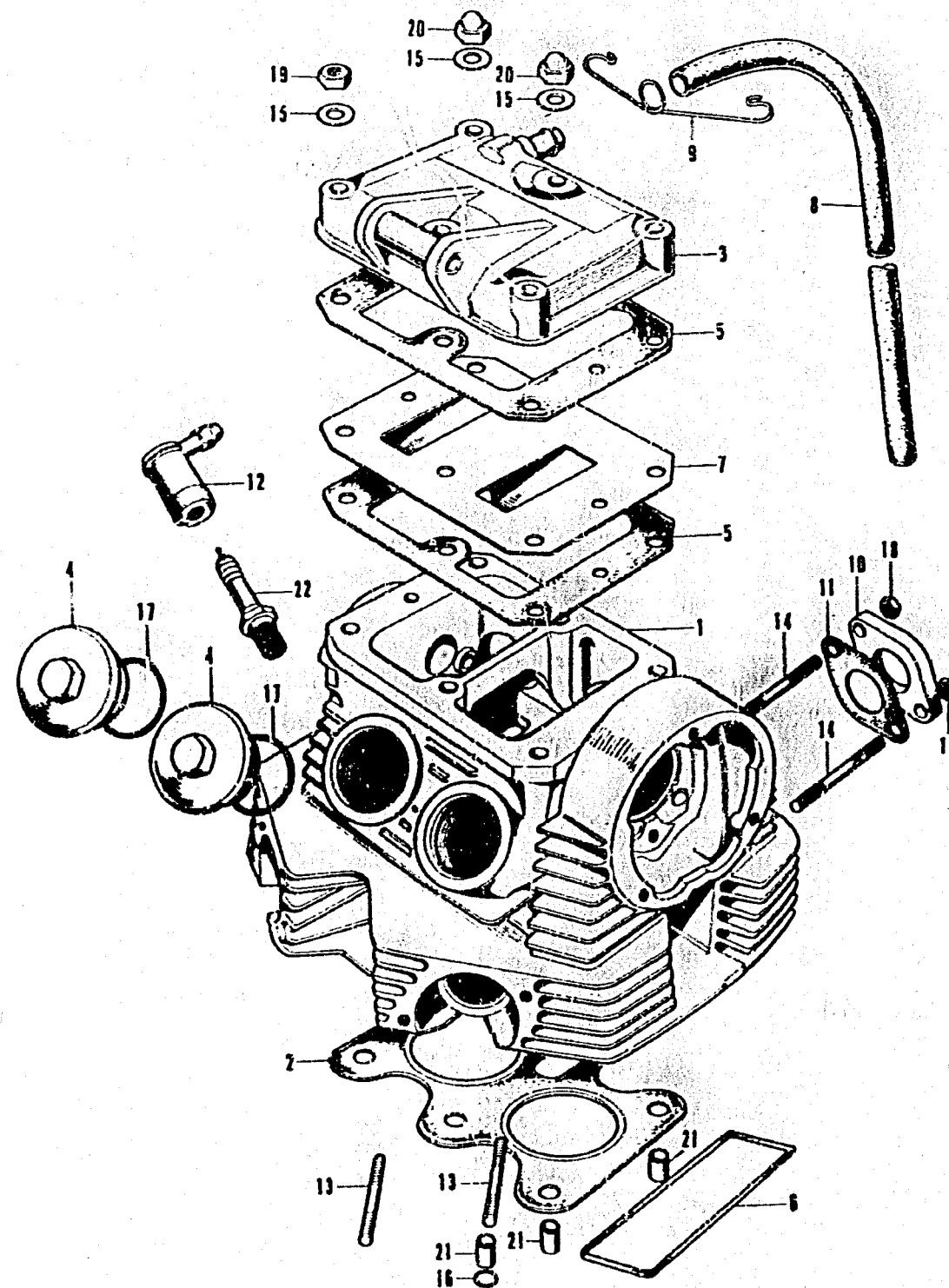


E-1 Cylinder head · Spark plug

C 2

E-1 Cylinder head · Spark plug



Ref. No.	Part No.	Description	Reqd. No. CB125K5	Serial No.	Area code
1	12200-336-000	HEAD COMP., CYLINDER	1	5023603	
	12200-336-010	HEAD COMP., CYLINDER	1	5023604	
2	12251-303-010	GASKET, CYLINDER HEAD	1	5022112	
	12280-351-000	GASKET, CYLINDER HEAD	1	5022113	
3	12300-303-010	COVER, CYLINDER HEAD	1		
4	12361-246-000	CAP, TAPPET ADJUSTING HOLE	4		
5	12391-303-000	GASKET, CYLINDER HEAD COVER	2		
6	12901-230-010	GASKET, CAM CHAIN CHAMBER	1	5042876	
	12901-353-660	GASKET, CAM CHAIN CHAMBER	1	5042877	
7	15755-303-000	PLATE, BREATHER SHIELD	1		
8	15761-286-010	TUBE, BREATHER	1		
	15761-292-010	TUBE, BREATHER	1		
9	15772-302-000	CLIP, HIGH TENSION CORD	1		
10	16211-304-000	INSULATOR, CARBURETOR	2		
11	16229-235-000	GASKET, CARBURETOR INSULATOR	2		
12	30700-243-610	CAP ASSY., NOISE SUPPRESSOR	2		ED, F, G
	30700-259-810	CAP ASSY., NOISE SUPPRESSOR	2		DX, DM
13	90041-259-030	BOLT, STUD, 6X40	4		
14	90044-259-000	BOLT, STUD, 6X36	4		
15	90441-286-000	WASHER, SEALING, 8MM	6		
16	91301-200-000	O-RING, 10X1.6	1		
17	91302-216-000	O-RING, 35.5X3	4		
18	94001-06000	NUT, HEX., 6MM	4		
19	94001-08000-05	NUT, HEX., 8MM	4		
20	94021-08000-05	NUT, CAP, 8MM	2		
21	94301-10140	PIN A, DOWEL, 10X14	3		
22	98066-58714	PLUG, SPARK (D-8HS NGK)	2		

B336-1