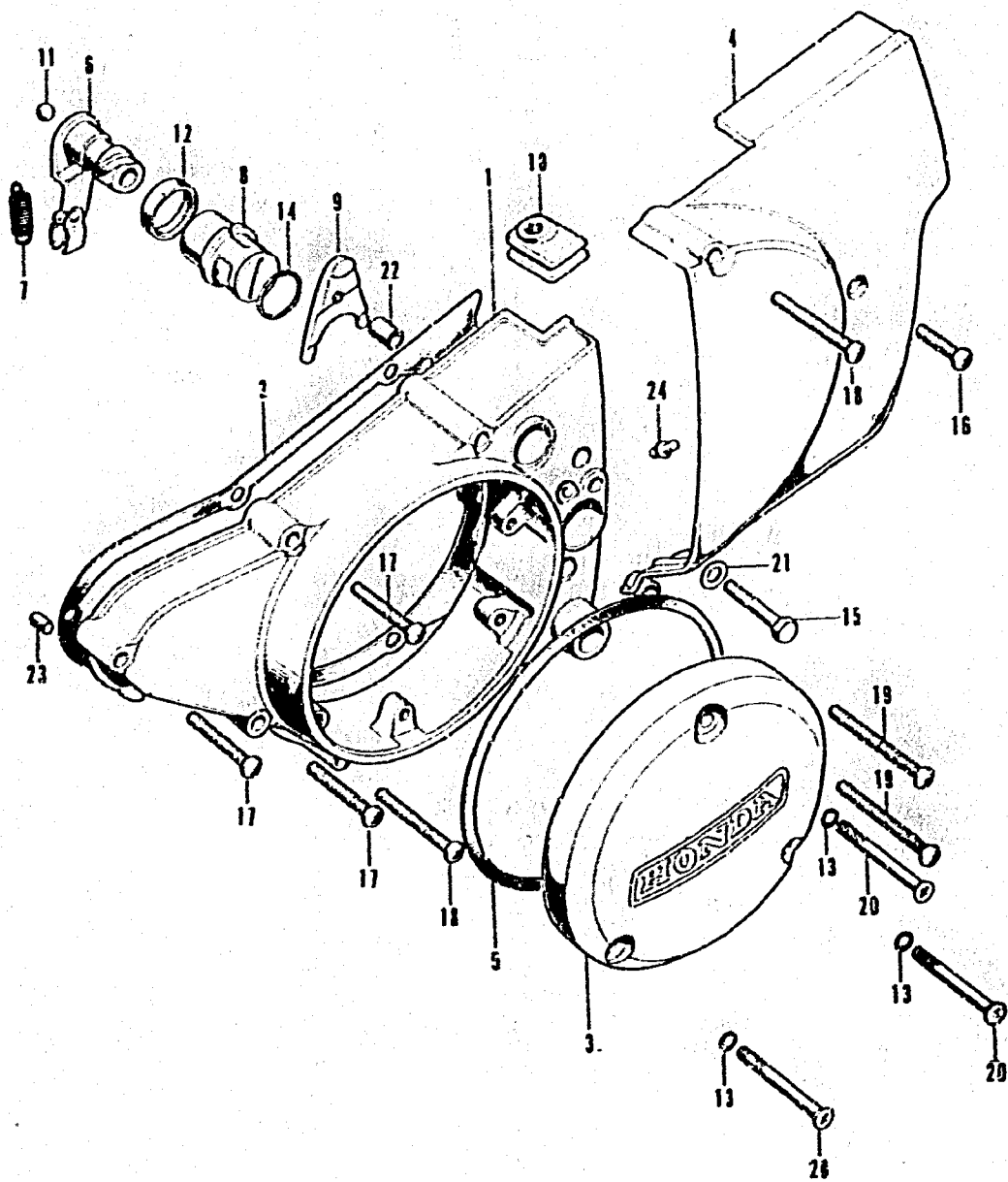


E-9 Left crankcase cover

**C 10**

E-9 Left crankcase cover



Ref. No.	Part No.	Description	Reqd. No. CB125K5	Serial No.	Area code
1	11340-303-030	COVER COMP., L. CRANKCASE	1		
2	11395-303-020	GASKET, L. CRANKCASE COVER	1		
	11395-303-030	GASKET, L. CRANKCASE COVER	1		
3	11431-317-000	COVER, DYNAMO	1		
4	11661-304-010	COVER A, DRIVE CHAIN	1		
5	11691-286-000	GASKET, DYNAMO COVER	1		DK, DM, ED, F
	11691-305-000	GASKET, DYNAMO COVER	1		G
6	22810-216-030	THREAD COMP., CLUTCH LIFTER	1		
7	22815-200-030	SPRING, CLUTCH LEVER	1		
8	22841-216-030	ADJUSTER, CLUTCH	1		
9	22844-200-010	PIECE, ADJUSTER FIXING	1		
10	22875-224-000	JOINT, CLUTCH WIRE	1	5022112	
	22875-351-000	JOINT, CLUTCH WIRE	1	5022113	
11	90901-230-000	BALL, STEEL (5/16)	1		
12	91205-222-003	OIL SEAL, 20X26X29X8	1		
	91205-222-005	OIL SEAL, 20X26X29X8	1		
13	91301-283-000	O-RING, 5X2.4	3		
14	91354-702-000	O-RING, 23MM	1		
15	92000-06032	BOLT, HEX., 6X32	1		
16	93500-06020	SCREW, PAN, 6X20	2		
17	93500-06032	SCREW, PAN, 6X32	3		
18	93500-06040	SCREW, PAN, 6X40	3		
19	93500-06050	SCREW, PAN, 6X50	3		
20	93700-06045	SCREW, DYAL, 6X45	3		
21	94101-06000	WASHER, FLAIN, 6MM	1		
22	94301-08100	PIN A, DOWEL, 8X10	1		
23	94302-06100	PIN B, DOWEL, 6X10	1	5053375	
	94303-06100	PIN A, DOWEL, 6X10	1	5053376	
24	96202-30000	NIPPLE, GREASE, A.45	1		