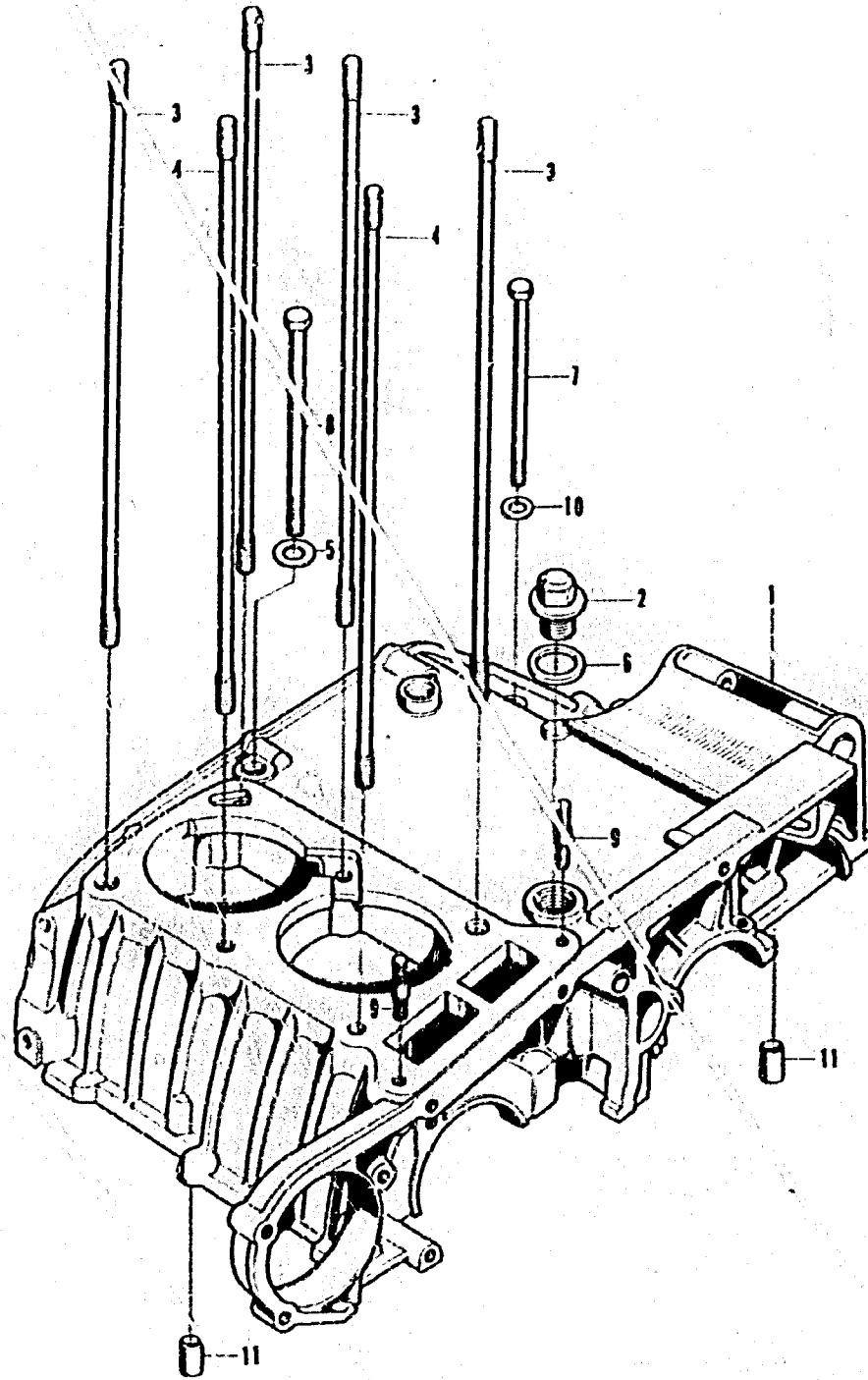


E-17 Upper crankcase

D 2

E-17 Upper crankcase



Ref. No.	Part No.	Description	Req. No. CBI25K5	Serial No.	Area code
1	11100-303-050	CRANKCASE COMP., UPPER	1	5022112	DK, DM, ED, F
	11100-351-000	CRANKCASE COMP., UPPER	1	5022113	DK, DM, ED, F
	11100-304-050	CRANKCASE COMP., UPPER	1	5022112	G
	11100-304-060	CRANKCASE COMP., UPPER	1	5022113	G
2	90017-303-010	BOLT, SEALING TENSICHER	1		
3	90031-230-000	BOLT A, CYLINDER STUD, 233MM	4		
4	90032-230-000	BOLT, CYLINDER STUD, 233MM	2		
5	90441-236-000	WASHER, WASHING, 8MM	1		
6	90472-500-000	PACKING, DRAIN BOLT	1		
7	72000-060E0	BOLT, HEX., 6X80	1	5021613	
	55700-06080-00	BOLT, FLANGE, 6X80	1	5021614	
8	92000-08100-0A	BOLT, HEX., 8X100	1		
9	92700-06032	BOLT, STUD, 6X32	2		
10	94101-06000	WASHER, PLAIN, 6MM	1		
11	94301-10140	PIN A, DOWEL, 10X14	2		

B336-12A