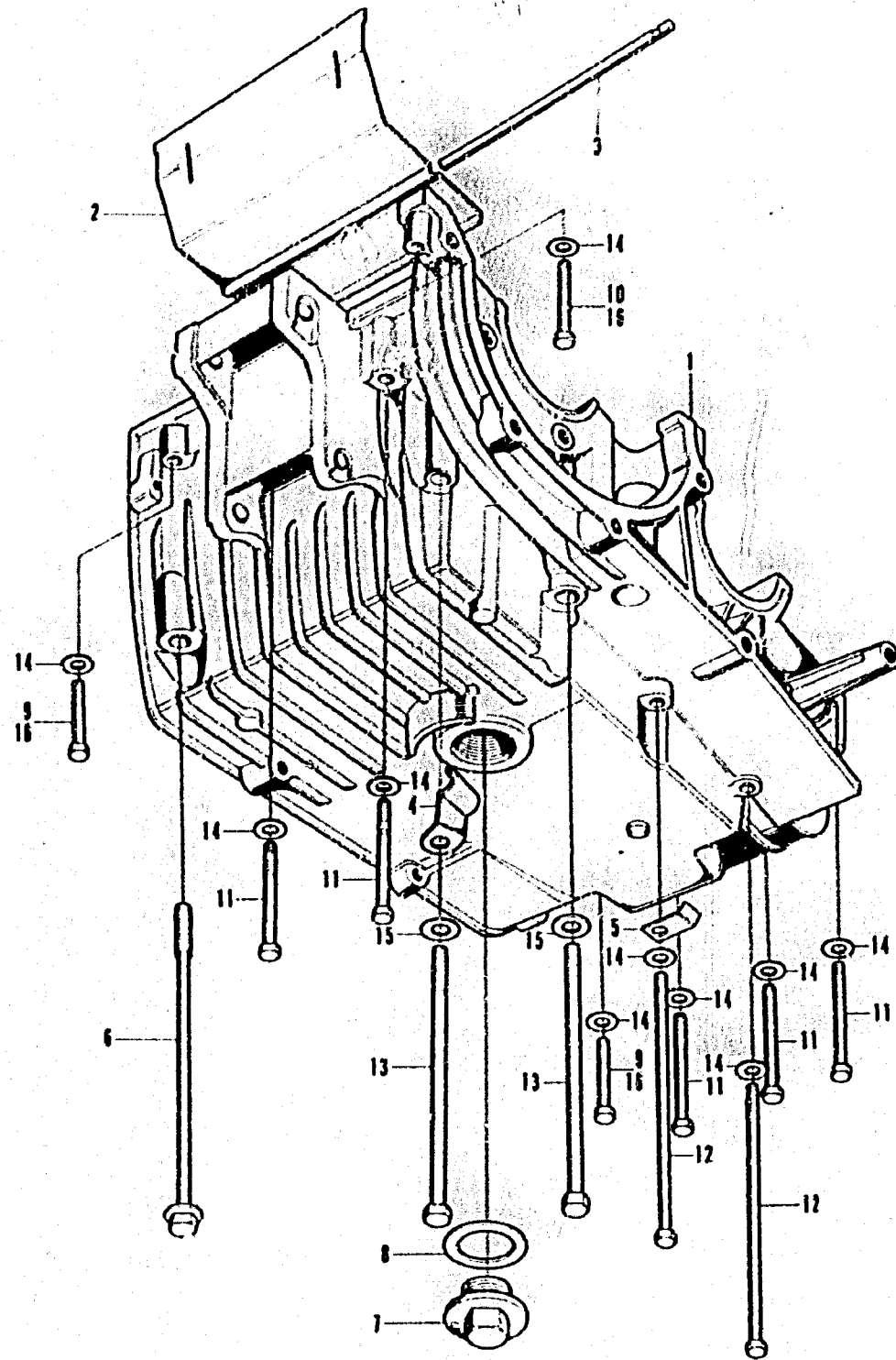


E-18 Lower crankcase

D 3

E-18 Lower crankcase



| Ref. No. | Part No.       | Description                | Reqd. No. CB125K5 | Serial No. | Area code     |
|----------|----------------|----------------------------|-------------------|------------|---------------|
| 1        | 11200-303-030  | CRANKCASE COMP., LOWER     | 1                 |            |               |
| 2        | 11751-230-000  | SEPARATOR, OIL             | 1                 |            |               |
| 3        | 11781-230-000  | BAR, OIL SEPARATOR SETTING | 1                 |            |               |
| 4        | 32911-201-000  | CLAMPER A, MOTOR CABLE     | 1                 |            | DK, DM, ED, F |
| 5        | 32912-201-000  | CLAMPER B, MOTOR CABLE     | 1                 |            | DK, DM, ED, F |
| 6        | 90002-302-000  | BOLT, HEX., 8X130          | 1                 |            |               |
| 7        | 90013-230-000  | BOLT, DRAIN COCK           | 1                 |            |               |
| 8        | 90407-205-000  | PACKING, DRAIN COCK        | 1                 |            |               |
| 9        | 92000-06032    | BOLT, HEX., 6X32           | 2                 | 5021613    |               |
| 10       | 92000-06036    | BOLT, HEX., 6X36           | 1                 | 5021613    |               |
| 11       | 92000-06050    | BOLT, HEX., 6X50           | 5                 | 5021613    |               |
|          | 95700-06050-00 | BOLT, FLANGE, 6X50         | 5                 | 5021614    |               |
| 12       | 92000-06100    | BOLT, HEX., 6X100          | 2                 | 5021613    |               |
|          | 95700-06100-00 | BOLT, FLANGE, 6X100        | 2                 | 5021614    |               |
| 13       | 92000-08100-0A | BOLT, HEX., 8X100          | 2                 |            |               |
| 14       | 94101-06000    | WASHER, PLAIN, 6MM         | 10                | 5021613    |               |
| 15       | 94101-08000    | WASHER, PLAIN, 8MM         | 2                 |            |               |
| 16       | 95700-06032-00 | BOLT, FLANGE, 6X32         | 3                 | 5021614    |               |

5336-13