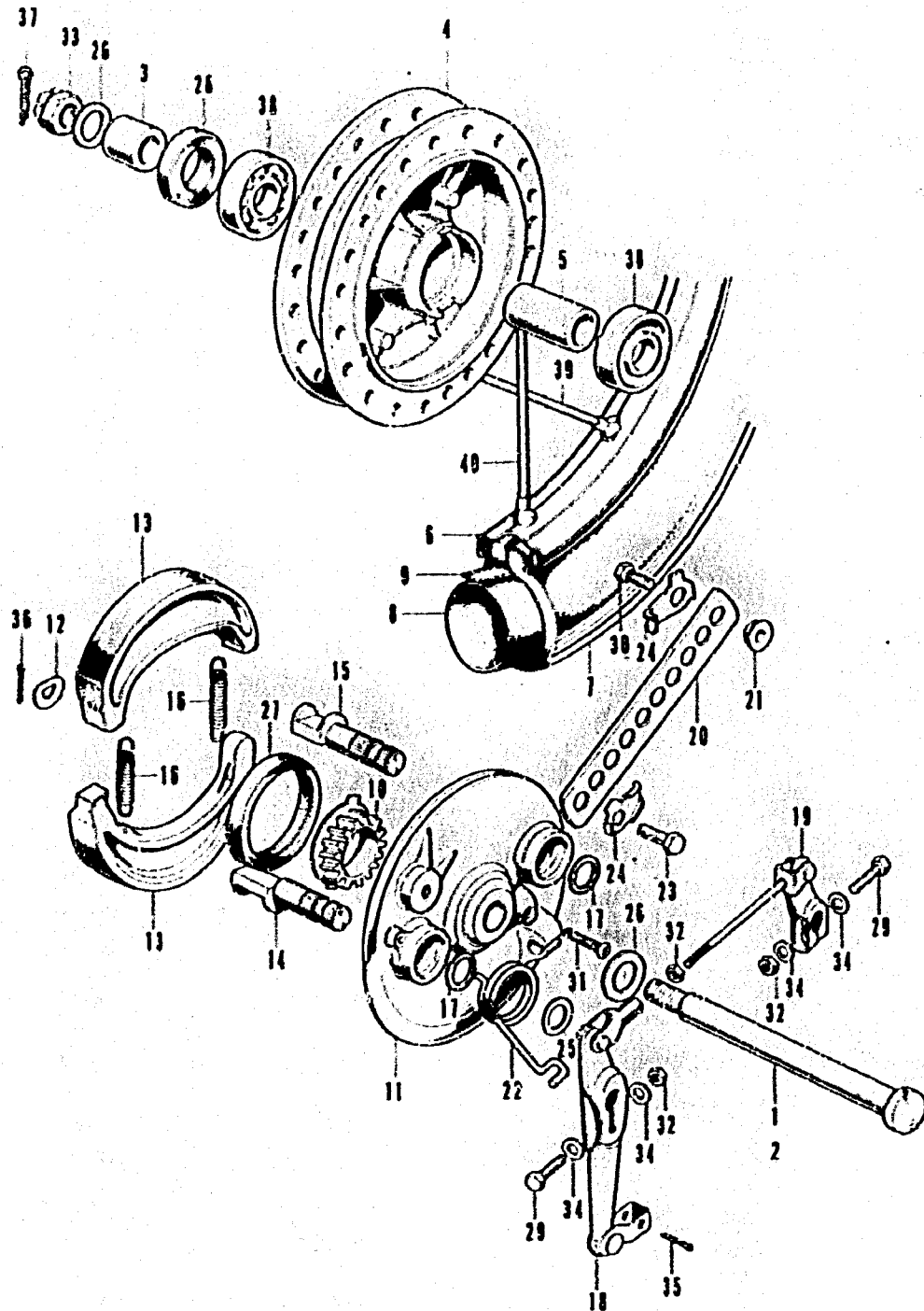


F-5 Front wheel

D 12

F-5 Front wheel



Ref. No.	Part No.	Description	Reqd. No. CBI25K5	Serial No	Area code
25	90549-121-000	WASHER, PLAIN, 14MM	1	5022678	
26	90557-230-000	WASHER, 15.2X25	2		
27	91251-230-000	OIL SEAL, 54X66X7	1		
28	91252-230-000	OIL SEAL, 20X42X7	1		
29	92000-06032	BULB, HEX., 6X32	2		
30	92000-08028-0A	BOLT, HEX., 8X28	1		5006817
	93200-08028-0A	BOLT, HEX., 8X28	1		5006818
31	93617-05020-0A	SCREW, FLAT, 5X20	1		
32	94001-06000	NUT, HEX., 6MM	3		
33	94011-14020-05	NUT, CASTLE, 14MM	1		
34	94101-06000	WASHER, PLAIN, 6MM	4		
35	94201-20180	PIN, SPLIT, 2.0X18	1		
36	94201-20220	PIN, SPLIT, 2.0X22	2		
37	94201-30300	PIN, SPLIT, 3.0X30	1		5060646 F, DK, DM, ED, G
	94201-30250	PIN, SPLIT, 3.0X25	1		5060647 F
38	96140-63020	BEARING, RADIAL BALL, 6302U	2		
39	97394-52156-1	SPOKE B, 9X158	18		
40	97698-52155-1	SPOKE B, 9X157.5	18		