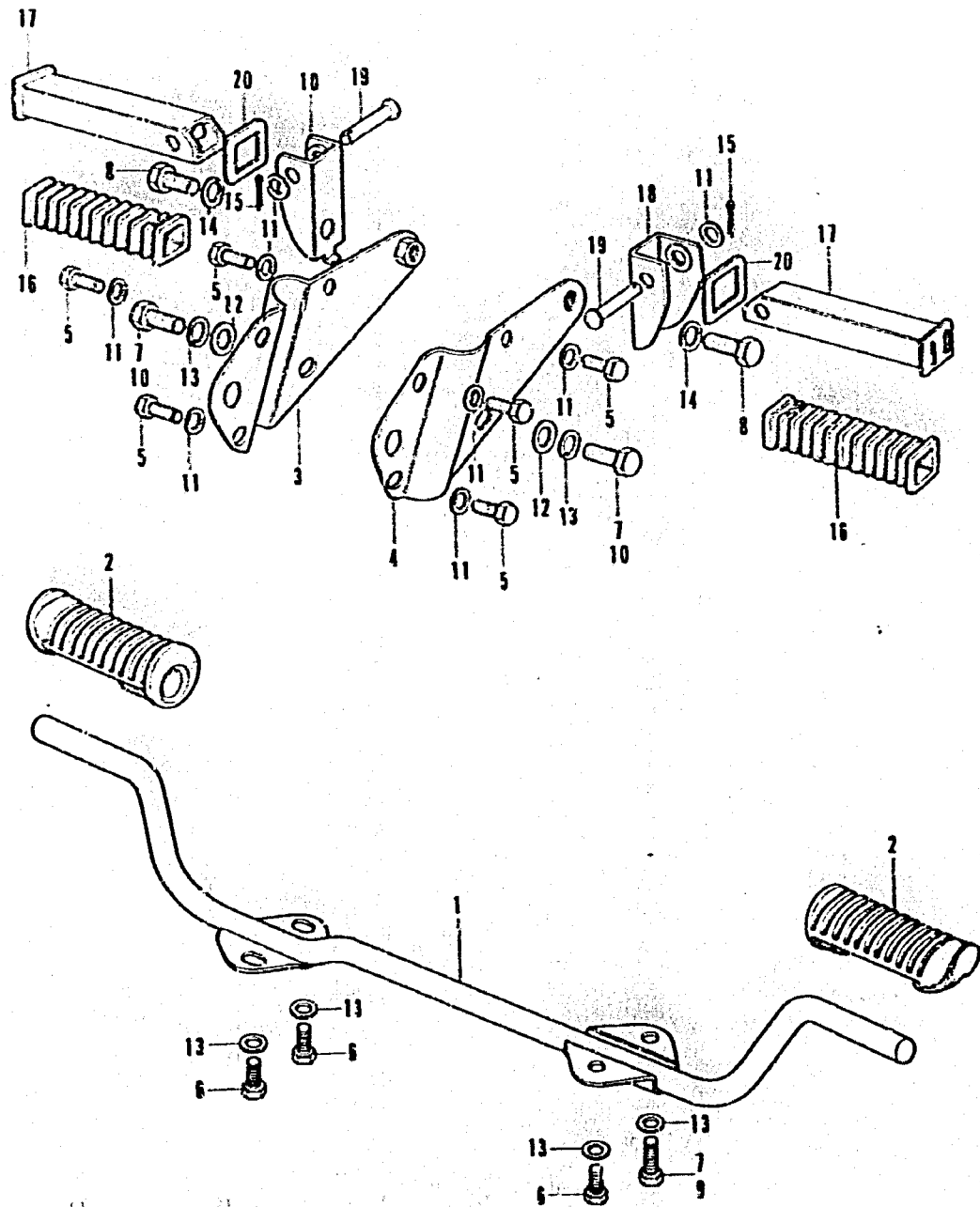


F-14 Step bar · Pillion step

E 6

F-14 Step bar · Pillion step



Ref. No.	Part No.	Description	Reqd. No. CB125K5	Serial No.	Area code
1	50610-303-0103	BAR CORP., STEP	1		
2	50661-303-000	RUBBER, STEP	2		
3	50711-303-0308	ARM, R. PILLION STEP	1		
4	50721-303-0308	ARM, L. PILLION STEP	1		
5	92000-06014	BOLT, HEX., 6X14	6	5021590	
	93481-06014-00	BOLT-WASHER, 6X14	6	5021591	
6	92000-08016-0A	BOLT, HEX., 8X16	3	5021590	
	93482-08016-00	BOLT-WASHER, 8X16	3	5021591	
7	92000-08020-0A	BOLT, HEX., 8X20	3	5021590	
8	92000-10025-0A	BOLT, HEX., 10X25	2	5021590	
	93482-10025-00	BOLT-WASHER, 10X25	2	5021591	
9	93482-08020-00	BOLT-WASHER, 8X20	1	5021591	
10	93483-08020-00	BOLT-WASHER, 8X20	2	5021591	
11	94101-06000	WASHER, PLAIN, 6MM	8		
			2	5021591	5021590
12	94101-08000	WASHER, PLAIN, 8MM	2		5021590
13	94111-08000	WASHER, SPRING, 8MM	6		5021590
14	94111-10000	WASHER, SPRING, 10MM	2		5021590
15	94201-16150	PIN, SPLIT, 1.6X15	2		
16	95011-31000	RUBBER A, PILLION STEP	2		5021590
	50714-333-000	RUBBER, PILLION STEP	2	5021591	
17	95015-62000	BAR B, PILLION STEP	2		
18	95015-72200	BRACKET 2, PILLION	2		5021590
	50713-333-000	BRACKET, PILLION STEP	2	5021591	
19	95015-82000	PIN B, PILLION STEP	2		
20	95015-91000	WASHER, PILLION STEP	2		