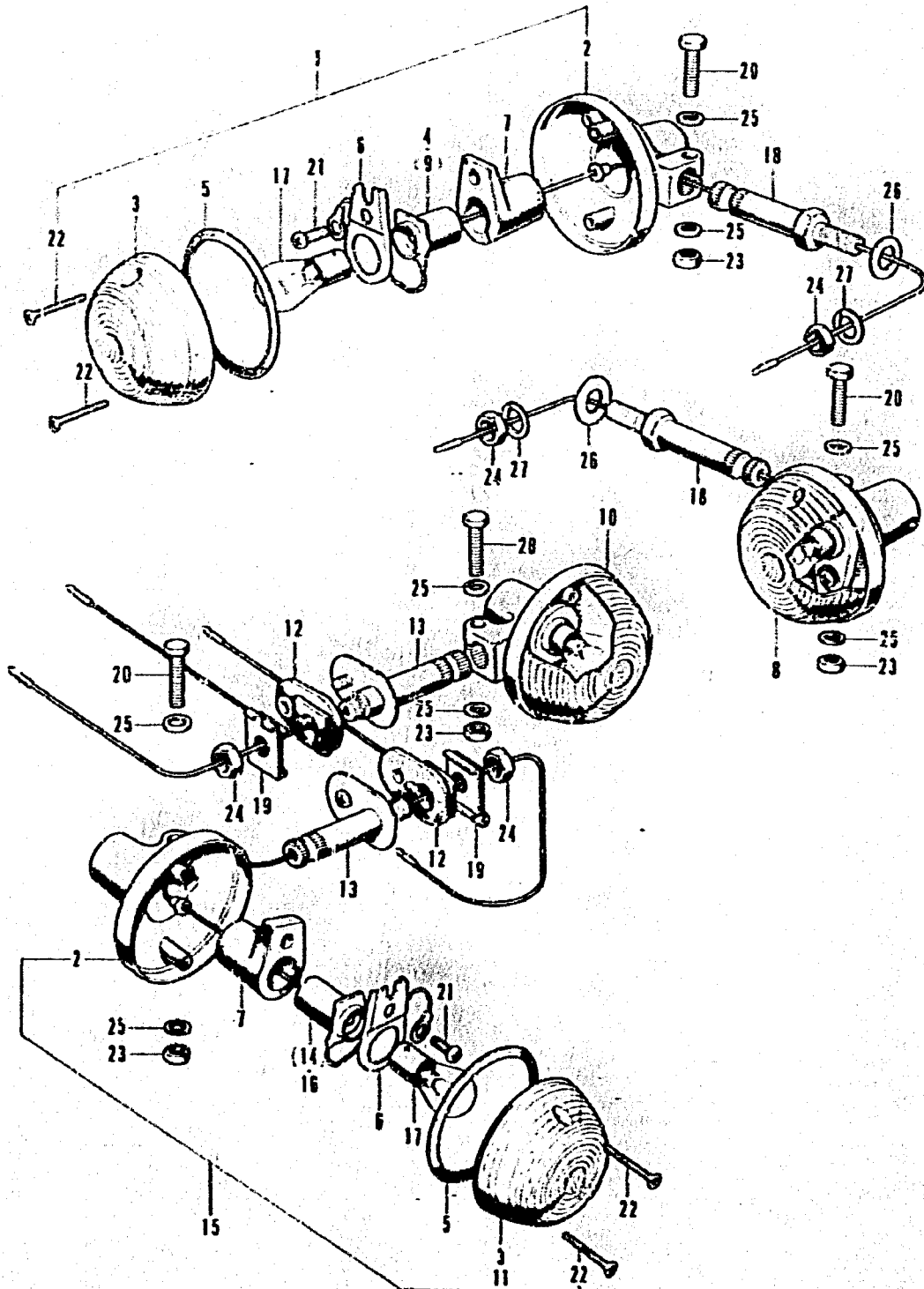


F-19-1 Winker(DK, DM, ED, F)

E 14

F-19-1 Winker(DK, DM, ED, F)



Ref. No.	Part No.	Description	Reqd. No. CB125K5	Serial No.	Area code
1	33400-336-000	WINKER ASSY., R. FR.	1		DK, DM, F
	33400-336-730	WINKER ASSY., R. FR.	1		ED
2	33401-292-003	BASE, R. FR. WINKER (STANLEY)	4		DK, DM, ED, F
3	33402-268-671	LENS, FR. WINKER	2		DK, DM, F
			2		ED
4	33402-336-000	SOCKET, R. FR. WINKER	1		DK, DM, ED, F
5	33406-268-671	PACKING, WINKER LENS	4		DK, DM, ED, F
6	33407-284-900	HOLDER, FR. WINKER SOCKET	3		DK, DM, ED, F
7	33408-284-000	RUBBER, WINKER CUSHION	4		DK, DM, ED, F
8	33450-303-650	WINKER ASSY., L. FR.	1		DK, DM, F
	33450-336-730	WINKER ASSY., L. FR.	1		ED
9	33453-292-003	SOCKET COMP., L. FR. WINKER (STANLEY)	1		DK, DM, ED, F
10	33600-304-970	WINKER ASSY., R. RR.	1		DK, DM, F
	33600-336-730	WINKER ASSY., R. RR.	1		ED
11	33602-323-631	LENS, RR. WINKER	2		ED
12	33606-303-000	RUBBER, RR. WINKER MOUNT	2		DK, DM, ED, F
13	33607-307-670	STAY, R. RR. WINKER	2		DK, DM, ED, F
14	33610-306-670	SOCKET COMP., R. RR. WINKER	1		DK, DM, ED, F
15	33650-304-970	WINKER ASSY., L. RR.	1		DK, DM, F
	33650-336-730	WINKER ASSY., L. RR.	1		ED
16	33667-306-670	SOCKET COMP., L. RR. WINKER	1		DK, DM, ED, F
17	34905-212-000	BULB, WINKER (6 V/10W)	4		DK, DM, F
18	90154-268-670	BOLT, HEADLIGHT CASE SETTING	2		DK, DM, F
	90154-346-610	BOLT, FR. WINKER SETTING	2		ED
19	90583-315-670	WASHER, RR. WINKER MOUNT	2		DK, DM, ED, F
20	92000-06028-02	BOLT, HEX., 6X28	4	5021590	DK, DM, ED, F
	92000-06025	BOLT, HEX., 6X25	4	5021591	DK, DM, ED, F
21	93500-05008-0A	SCREW, PAN, 5X8	4		DK, DM, ED, F
22	93700-03025-0B	SCREW, OVAL, 3X25	8		DK, DM, ED, F
23	94001-06000	NUT, HEX., 6MM	4		DK, DM, ED, F
24	94001-10000-0S	NUT, HEX., 10MM	4		DK, DM, ED, F
25	94101-06000	WASHER, PLAIN, 6MM	8		DK, DM, ED, F
26	94101-10200	WASHER, PLAIN, 10MM	2		DK, DM, ED, F
27	94111-10200	WASHER, SPRING, 10MM	2		DK, DM, ED, F

B336-37