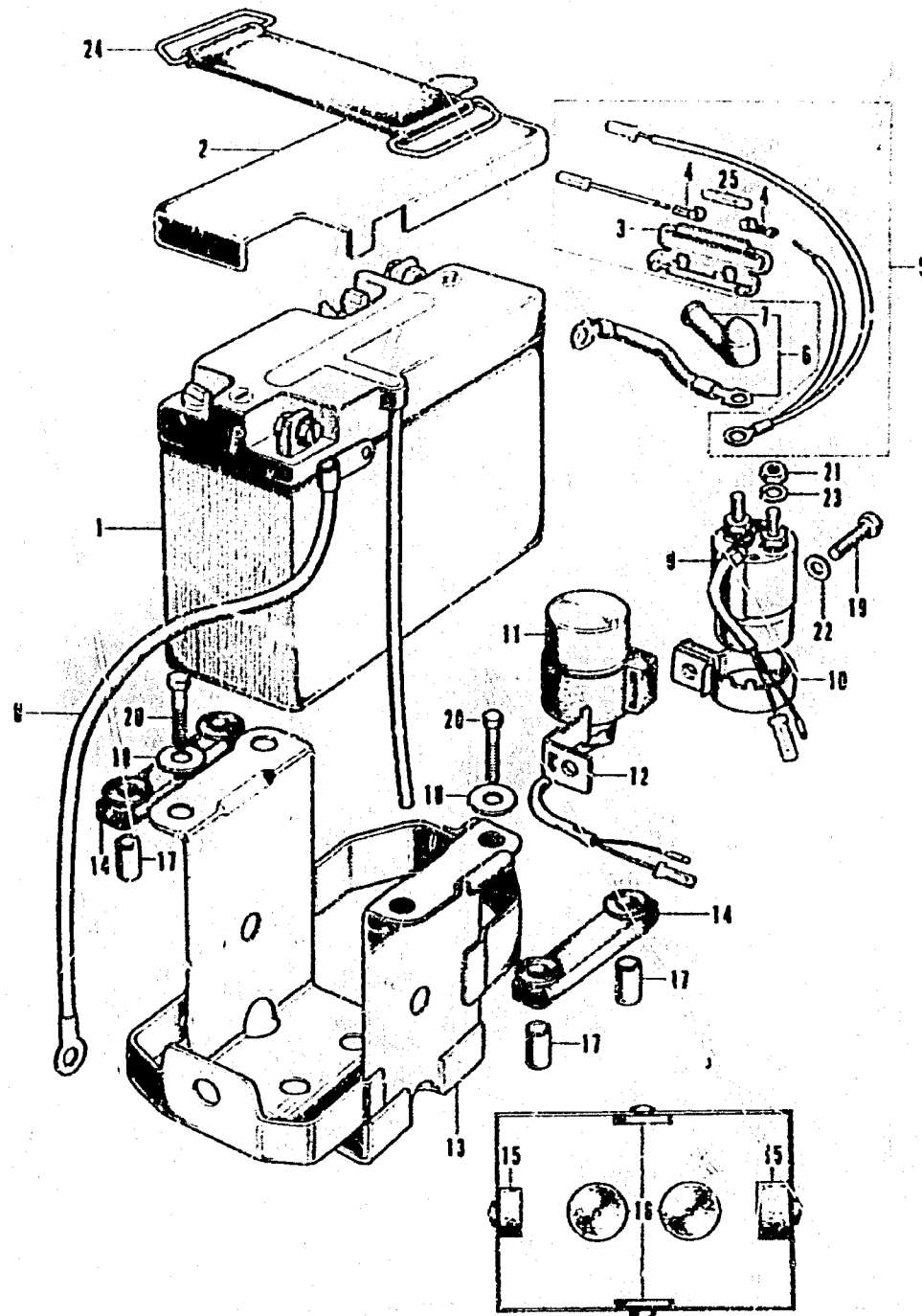


F-21 Battery · Battery tray

**F 1**

F-21 Battery · Battery tray



Ref. No.	Part No.	Description	Reqd. No. CBI25K5	Serial No.	Area code
1	31500-303-681	BATTERY ASSY. 98202-65240	1	5059357	
2	31532-304-000	COVER, BATTERY	1	5059358	
3	32111-230-000	CASE, FUSE CONNECTOR	1	5021590	
	32120-323-000	CASE, FUSE	1	5021591	
4	32112-230-000	CONNECTOR, FUSE	2		
5	32120-303-000	HARNES, SUB WIRE 32211-351-000	1	5021590	
	32211-351-000	SUB HARNES, MAGNETIC	1	5021591	
6	32401-303-000	CABLE, STARTER BATTERY	1		
7	32411-253-000	COVER, STARTING MOTOR TERMINAL	1		
8	32601-336-000	CABLE, BATTERY EARTH	1		
9	35850-303-000	SWITCH ASSY, STARTER MAGNETIC	1		DK, DM, ED, F
10	35852-303-010	STAY, STARTER MAGNETIC	1		DK, DM, ED, F
11	38300-304-620	RELAY ASSY, WINKER	1		ED, G
12	38301-336-000	STAY, WINKER RELAY	1		
13	83600-336-000	TRAY, BATTERY	1		
14	83611-307-000	RUBBER, BATTERY CUSHION	2	5036574	
	83611-354-000	RUBBER, BATTERY	2	5036575	
15	83616-307-000	RUBBER A, BATTERY DISTANCE	2		
16	83618-307-000	RUBBER C, BATTERY DISTANCE	4	5033700	
	83618-323-000	RUBBER, BATTERY BOX	4	5033701	
17	84706-307-000	COLLAR, BATTERY TRAY SET	4		
18	90525-030-000	WASHER B, HANDLE HOLDER SETTING	4		
19	92000-06012	BOLT, HEX., 6X12	1	5021590 G	
	92000-06016	BOLT, HEX., 5X16	1	5021590	DK, DM, ED, F
	93481-06012-00	BOLT-WASHER, 6X12	1	5021591	G
	93481-06016-00	BOLT-WASHER, 6X16	1	5021591	DK, DM, ED, F
20	92000-06025	BOLT, HEX., 6X25	4		
21	94002-06000	NUT, HEX., 6MM	2		DK, DM, ED, F
22	94101-06000	WASHER, PLAIN, 6MM	1	5021590	
23	94111-06000	WASHER, SPRING, 6MM	2		
24	95012-15000	BAND D, BATTERY	1		
25	98200-11500	FUSE A (15A)	4		