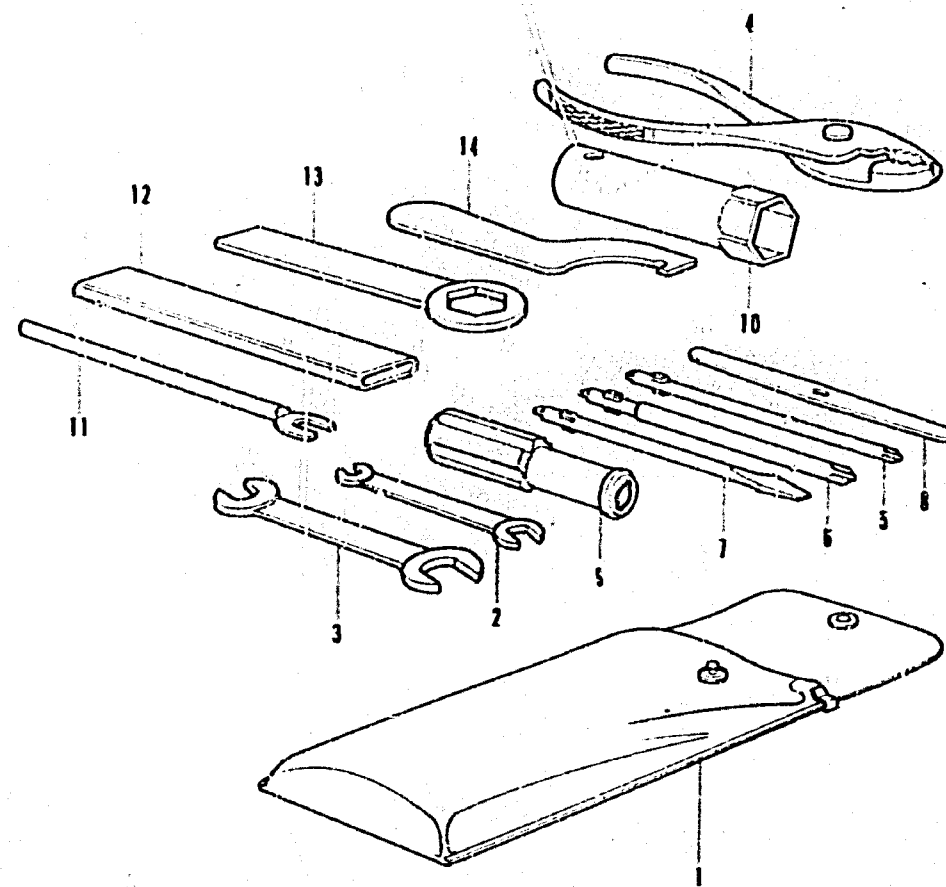


F-23 Tool



F-23 Tool



Ref. No.	Part No.	Description	Reqd. No. CH125K5	Serial No.	Area code
1	83151-805-000	BAG, TOOL	1	5010680	
	99009-02000	BAG, TOOL, 200MM	1	5010681	
2	99001-06120	SPANNER, 8X12	1	5010680	
	99001-10120	SPANNER, 10X12	1	5010681	
3	99001-10140	SPANNER, 10X14	1	5010680	
	99001-14170	SPANNER, 14X17	1	5010681	
	99001-17190	SPANNER, 17X19	1	5010680	
4	99002-13500	PLIERS, 135	1		
5	99003-10000	DRIVER 2; PLUS SCREW	1		
6	99003-20000	DRIVER 3; PLUS SCREW	1		
7	99003-30000	DRIVER 2; MINUS SCREW	1		
8	99003-40000	LEVER	1		
9	99003-50000	GRIP	1		
10	99004-18001	WRENCH, BOX, P18	1		
11	99005-02000	BAR B; HANDLE	1	5010681	
12	99006-12000	HANDLE, EYE WRENCH, 120MM	1		
13	99006-19000	WRENCH, EYE, 19MM	1		
14	99007-45000	SPANNER, PIN	1		