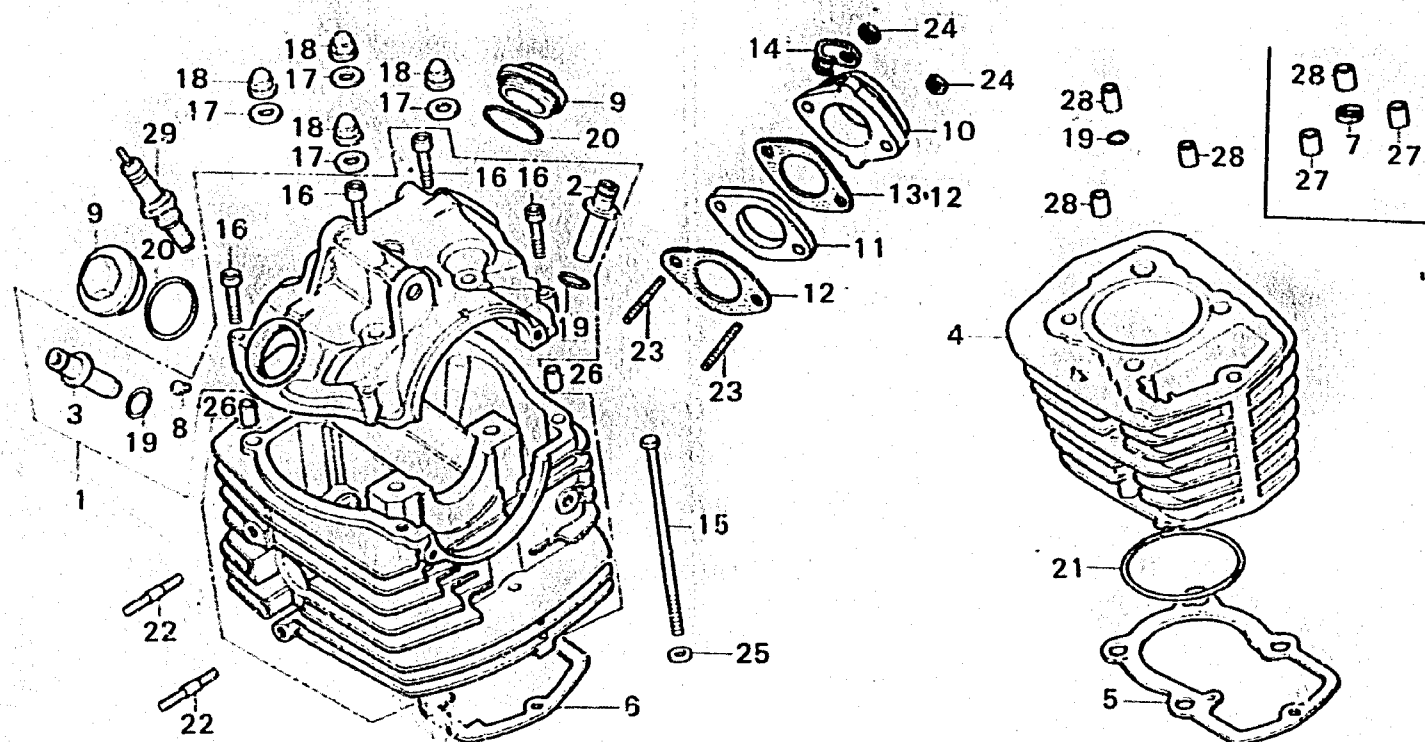


C 2

E-1

Cylinder head · Cylinder



B324-70

Service item	F.R.T.	Ref. No.	Part No.	Description	Reqd. No. CB125S2	Serial No.	Area code
CYLINDER HEAD ASSY.	☆3.2	1	12000-324-680	HEAD ASSY., CYLINDER	1		
VALVE GUIDE	☆2.9	2	12021-107-310	GUIDE, IN, VALVE	1		
		3	12023-324-310	GUIDE, EX, VALVE	1		
*Reaming included add 0.2		4	12100-383-000	CYLINDER COMP,	1	2048087	D1K,D1M,D3K,D3M
Valve seat refacing excluded.			12100-383-010	CYLINDER COMP,	1	2048088	D6K
If it refaced add more 0.2					1	2071214	D1K,D1M,D3K,D3M
CYLINDER/CYLINDER GASKET	☆2.6		12100-383-020	CYLINDER COMP,	1		
*Boring honing excluded.		5	12191-330-305	GASKET, CYLINDER	1		
CYLINDER HEAD GASKET and its related parts.	☆2.5	6	12251-331-770	GASKET, CYLINDER HEAD	1	2069694	2069693
			12251-331-771	GASKET, CYLINDER HEAD	1		
CARBURETOR INSULATOR and its related parts.	0.5	7	12261-028-000	GASKET, CYLINDER STUD	1		2048087
		8	12271-383-000	RUBBER, OIL SEAL	1		
●6X60 STUD BOLT		9	12361-383-000	CAP, TAPPET ADJUSTING HOLE	2		
*Add 0.1 at stud bolt		10	16212-384-000	FLANGE, CARBURETOR	1	2040001	2040000
6X45 STUD BOLT	0.3		16212-384-680	FLANGE, CARBURETOR	1		
*Add 0.1							
		11	16213-107-000	INSULATOR, CARBURETOR	1	2040001	2040000
			16213-365-000	INSULATOR, CARBURETOR	1		
		12	16229-107-000	GASKET, CARBURETOR INSULATOR	2		2040000
					1	2040001	
		13	16229-365-000	GASKET, CARBURETOR INSULATOR	1	2040001	
		14	32906-107-000	CLIP, HIGH TENSION CORD	1		
		15	90081-107-000	BOLT, HS, 6MM	1		
		16	90081-383-000	BOLT, SOCKET, 6MM	4		
		17	90442-028-000	WASHER, SEALING, 8MM	4		
		18	90443-107-000	NUT, CAP, 8MM	4		
		19	91301-200-000	O-RING, 10X1,6	2	2048088	2048087
					3		

1979.03.01

C2