

**J 15**

**F-21**

Winker

(CB125T·T2-B,E,ED,F,G,G2,SW,U)

Clignotant

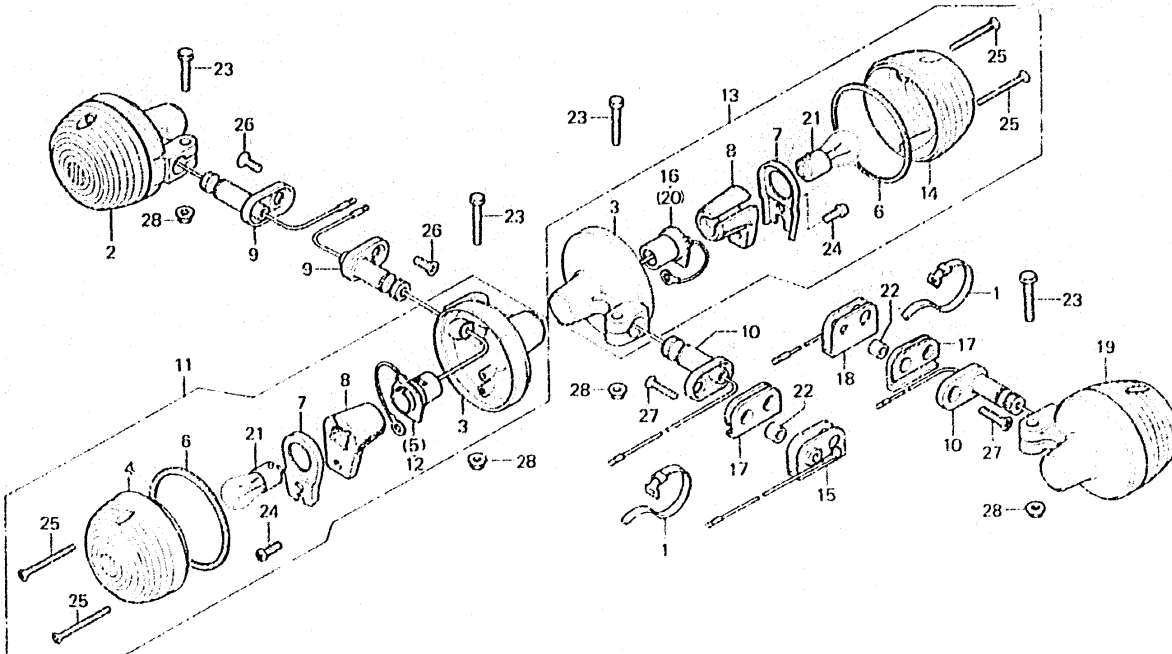
(CB125T·T2-B,E,ED,F,G,G2,SW,U)

Blinker

(CB125T·T2-B,E,ED,F,G,G2,SW,U)

Luz intermitente

(CB125T·T2-B,E,ED,F,G,G2,SW,U)



R399-49

| Item d'entretien | T.D.R. | N° de réf. | N° de pièce   | Description                                   | N° de requis |   |    |    | N° de série | Code de zone                   |
|------------------|--------|------------|---------------|---|--------------|---|----|----|-------------|--------------------------------|
|                  |        |            |               |   | CB125        | T | T2 | TA |             |                                |
|                  |        | 14         | 33602-388-601 | LENTILLE DE CLIGNOTANT AR.                    |              | 2 |    |    | 2010324     | B,E,ED,F,G                     |
|                  |        |            | 33602-323-631 | LENTILLE DE CLIGNOTANT AR.<br>(STANLEY)       |              | 2 |    | 2  | 2010325     | B,E,ED,F,G<br>B,E,ED,F,G,G2,SW |
|                  |        |            | 33402-388-601 | LENTILLE DE CLIGNOTANT                        |              | 2 |    |    | 2011618     | U                              |
|                  |        |            | 33402-268-671 | LENTILLE, CLIGNOTANT AV.<br>(STANLEY)         |              | 2 |    | 2  | 2011619     | U                              |
|                  |        | 15         | 33605-333-000 | BUTEE DE CLIGNOTANT AR. D.                    |              | 1 |    | 1  |             | B,E,ED,F,G,G2,SW,U             |
|                  |        | 16         | 33605-399-601 | DOUILLE COMP. CLIGNOTANT D.<br>(STANLEY)      |              | 1 |    | 1  |             | B,E,ED,F,G,G2,SW,U             |
|                  |        | 17         | 33606-074-010 | CADUTCHOUQ DE MONTAGE DE<br>CLIGNOTANTE AR.   |              | 2 |    | 2  |             | B,E,ED,F,G,G2,SW,U             |
|                  |        | 18         | 33609-457-670 | BUTEE DE CLIGNOTANT AR. G.                    |              | 1 |    | 1  |             | B,E,ED,F,G,G2,SW,U             |
|                  |        | 19         | 33650-399-601 | ENS. CLIGNOTANT, AR. G.<br>(6V 21W) (STANLEY) |              | 1 |    | 1  |             | B,E,ED,F,G,G2,SW               |
|                  |        |            | 33650-399-651 | ENS. CLIGNOTANT, AR. G.<br>(6V 10W) (STANLEY) |              | 1 |    | 1  |             | U                              |
|                  |        | 20         | 33655-399-601 | DOUILLE COMP. CLIGNOTANT G.<br>(STANLEY)      |              | 1 |    | 1  |             | B,E,ED,F,G,G2,SW,U             |