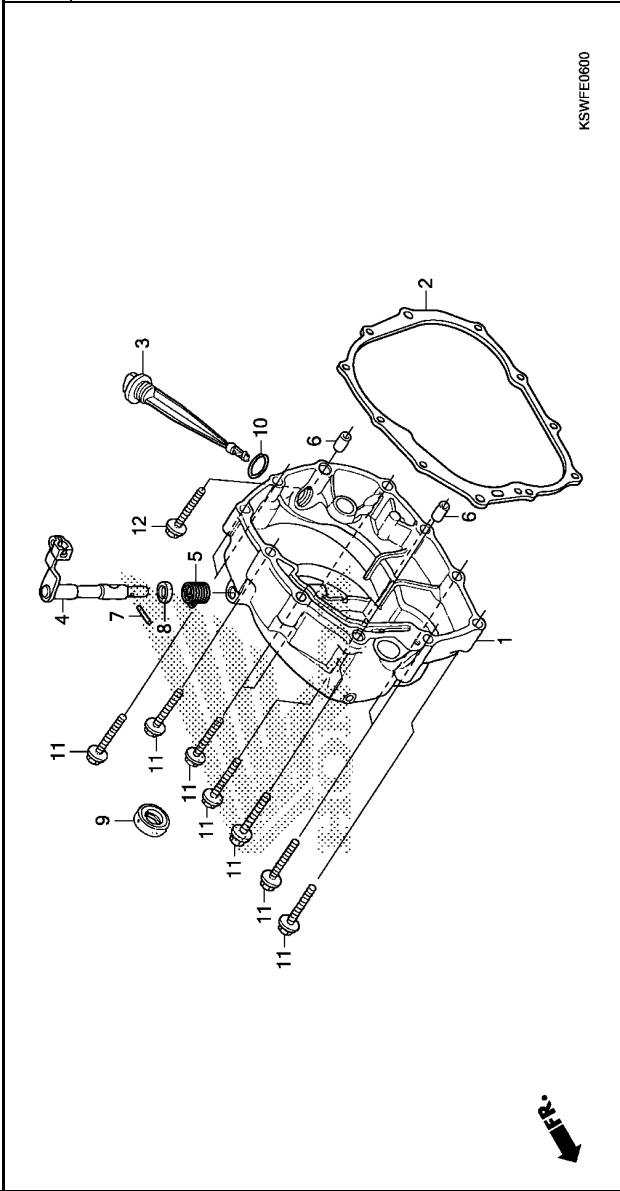


RIGHT CRANKCASE COVER

Ref. No.	L.O.N.	(Relative ref. Number)	Description	F.R.T.
1	110159		COVER, CRANKCASE :RIGHT	0.7
2	110158		GASKET, CRANKCASE COVER :RIGHT	0.6
4	2121A7	(5,8)	LEVER, CLUTCH	0.7
9	112105		OIL SEAL, KICK STARTER SPINDLE	0.6



Ref. No.	Part No.	Description	Reqd. QTY	Serial No.	Parts catalogue code
			CCG 125WH F		
1	11330-KSW-600	COVER COMP., R. CRANKCASE	1		
2	11393-KSW-600	GASKET, R. CRANKCASE COVER	1		
3	15650-KSW-600	GAUGE, OIL LEVEL	1		
4	22810-KVC-900	LEVER COMP., CLUTCH	1		
5	22815-428-000	SPRING, CLUTCH LEVER	1		
6	90702-KRM-840	DOWEL PIN, 8X14	2		
7	90703-KRH-900	PIN, SPRING, 3X10	1		
8	91201-148-003	OIL SEAL, 12X22X5 (ARAI)	1		
9	91204-KSW-601	OIL SEAL, 16X28X7	1		
10	91307-035-000	O-RING, 18X3	1		
11	96001-06040-00	BOLT, FLANGE, 6X40	10		
12	96001-06050-00	BOLT, FLANGE, 6X50	1		

