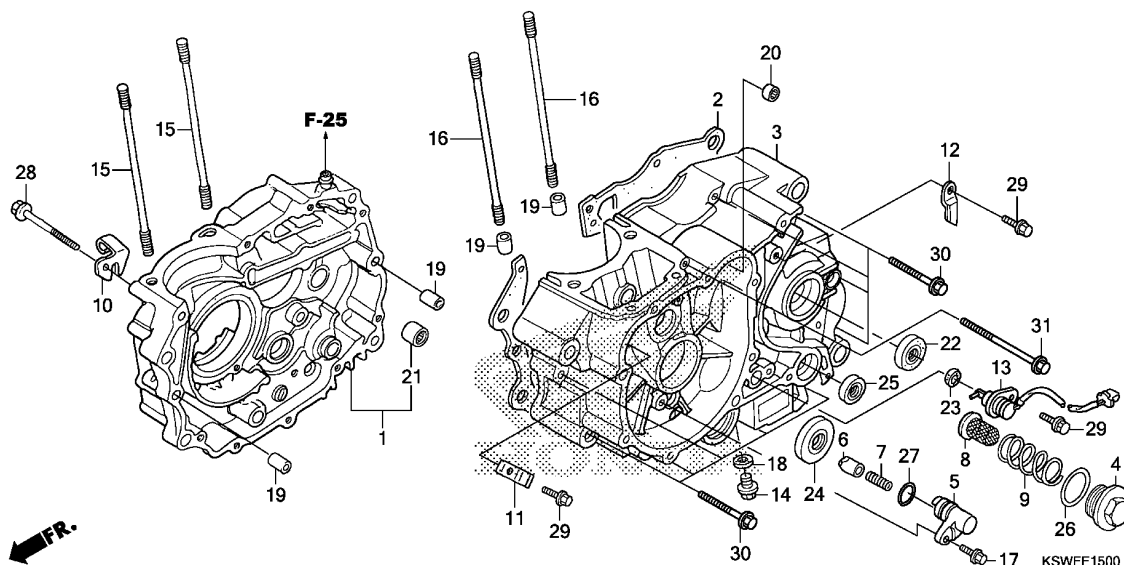


E-15

CRANKCASE



Ref. No.	L.O.N.	(Relative ref. Number) Description	F.R.T.
1	110120	CRANKCASE :RIGHTINCLUDES: Engine removal and installation	4.5
2	110110	GASKET, CRANKCASEINCLUDES: Engine removal and installation	4.0
3	110115	CRANKCASE :LEFTINCLUDES: Engine removal and installation	5.0
	1101A2	CRANKCASE :BOTHINCLUDES: Engine removal and installation	5.4
5		(6,7,27)	
8	1101L2	HOLDER, PUSH PLUG (4,9,26)	0.6
	1131B5	SCREEN, OIL FILTER	0.1
13	615125	SWITCH, GEAR CHANGE	0.3
21	2101C8	BEARING, COUNTERSHAFT :RIGHTINCLUDES: Engine removal and installation	4.2
	2101C9	BEARING, COUNTERSHAFT :BOTH .. .INCLUDES: Engine removal and installation	4.4
	2101D4	BEARING, MAINSHAFT AND COUNTERSHAFT :ALL	4.6

Ref. No.	Part No.	Description	Reqd. QTY	Serial No.	Parts catalogue code
			CCG125WH F J		
1	11100-KSW-G00	CRANKCASE COMP., R.	1 1		
2	11191-KSW-G00	GASKET, CRANKCASE	1 1		
3	11200-KSW-G00	CRANKCASE COMP., L.	1 1		
4	12361-KSW-G00	CAP, HOLE, 36MM	1 1		
5	14511-KSW-G00	HOLDER, PUSH PLUG	1 1		
6	14521-KSW-G00	PLUG, BEARING PUSH	1 1		
7	14531-KSW-G00	SPRING, BEARING PUSH	1 1		
8	15421-KVC-900	SCREEN, OIL FILTER	1 1		
9	15426-KVC-900	SPRING, OIL FILTER SCREEN ...	1 1		
10	22838-KSW-G00	HOLDER, CLUTCH WIRE	1 1		
11	28117-KSW-G00	PLATE, GEAR SETTING	1 1		
12	32976-KRF-S00	CLAMPER, WIRE HARNESS	1 1		
13	35759-KSW-G01	SWITCH ASSY., CHANGE	1 -		
	35759-KSW-G11	- 1		
14	90031-KSW-G00	BOLT, DRAIN PLUG, 12MM	1 1		
15	90032-KSW-G00	BOLT A, CYLINDER STUD, 8X122	2 2		
16	90034-KSW-G00	BOLT B, CYLINDER STUD, 8X130	2 2		
17	90044-KSW-G00	BOLT, FLANGE, 6X25	1 1		
18	90401-KSW-G00	WASHER, DRAIN PLUG, 12MM	1 1		
19	90703-KVC-900	DOWEL PIN, 10X14	4 4		
20	91021-KTJ-C10	BEARING, NEEDLE(HK1010)	1 1		
21	91106-KRH-900	BEARING, NEEDLE, 15MM	1 1		
22	91202-KSW-G01	OIL SEAL, 20X34X7	1 -		
	91202-KSW-G11	- 1		
23	91203-KSW-G01	OIL SEAL, 14X22X5	1 -		

