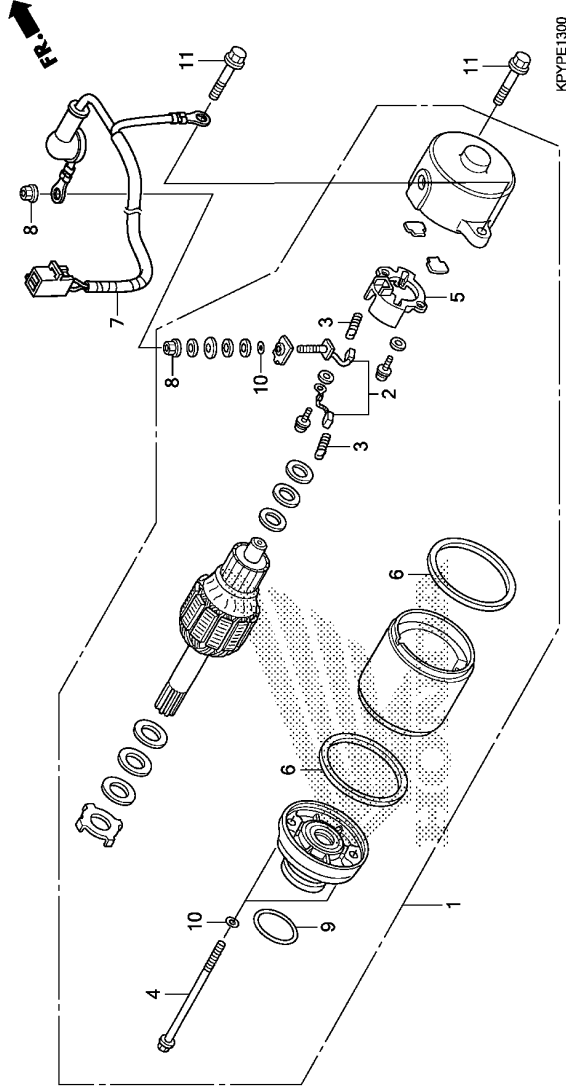


E-13

STARTER MOTOR

Ref. No.	L.O.N.	(Relative ref. Number)	Description	F.R.T.
1	612105	(9)	MOTOR, STARTING	0.4
2	6121A4	(3,6)	TERMINAL, BRUSH (STARTER)	0.6
5	6121A5		HOLDER, BRUSH (STARTER)	0.6
7	612115		CABLE, STARTER MOTOR	0.2



Ref. No.	Part No.	Description	Serial No.	Parts catalogue code	Reqd. QTY					
					MS	CFT125	MR	MRC	J	J
1	31200-KPH-881	MOTOR ASSY., STARTER(MITSUBA)			1	1	1	1	1	1
2	31201-KPH-881	BRUSH SET, TERMINAL			1	1	1	1	1	1
3	31204-KG8-004	SPRING, CARBON BRUSH			2	2	2	2	2	2
4	31205-KPH-881	BOLT, SETTING			2	2	2	2	2	2
5	31206-KPH-881	HOLDER, BRUSH			1	1	1	1	1	1
6	31207-MBE-008	RING			2	2	2	2	2	2
7	32410-KPY-H00	CABLE, STARTER MOTOR			1	1	1	1	1	1
8	90071-MB0-000	NUT-WASHER, 6MM			2	2	2	2	2	2
9	91309-425-003	O-RING, 24.4X3.1(ARAI)			1	1	1	1	1	1
10	91320-MB0-000	O-RING, 4X2			3	3	3	3	3	3
11	95701-06025-00	BOLT, FLANGE, 6X25			2	2	2	2	2	2