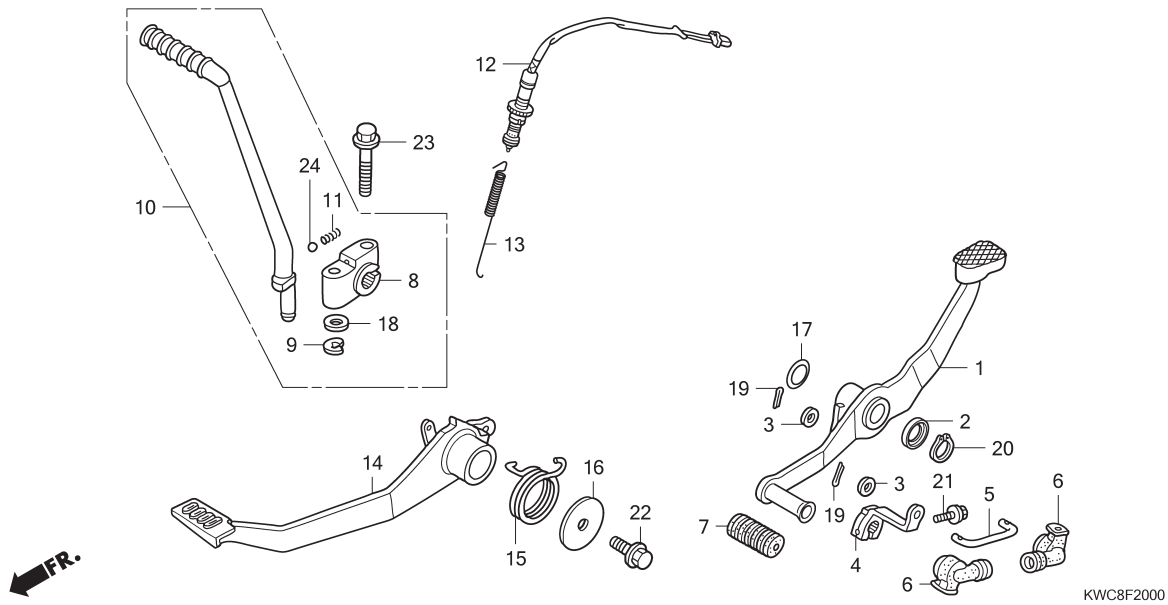


F - 20

Pedal / Kick Starter Arm



| Service item | F.R.T. | No. | Part Number | Description | QTY | Notes |
|--------------|--------|-----|----------------|-----------------------|-----|-------|
| | | 21 | 95701-06020-07 | BOLT, FLANGE, 6X20 | 1 | |
| | | 22 | 95701-08012-00 | BOLT, FLANGE, 8X12 | 1 | |
| | | 23 | 95701-08032-07 | BOLT, FLANGE, 8X32 | 1 | |
| | | 24 | 96211-08000 | BALL, STEEL, #8 (1/4) | 1 | |