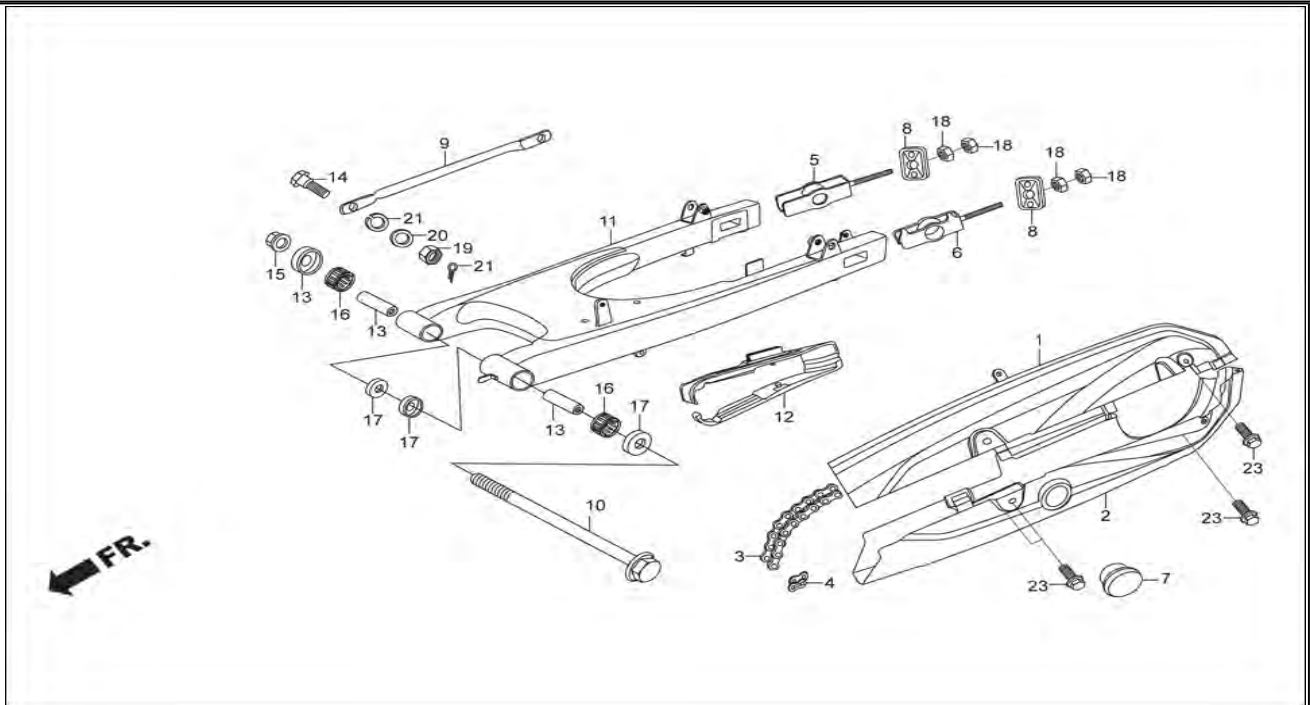


F-19
SWINGARM / CHAIN CASE



Service Item	F.R.T.	Group Number: F-19 Model :: Ignitor (May, 2012)			
		Ref No.	Part Number	Description	Req.
* CASE, UPPER (HALF) DRIVE CHAIN 0.1 (ONE OR ALL)	0.1 --	21	94111-10000	WASHER, SPRING, 10MM	1
* CHAIN, DRIVE.	0.3	22	94201-20150	PIN, SPLIT, 2.0 X 15	1
* ARM, RR. BRAKE STOPPER	0.2	23	95701-06010-07	BOLT, FLANGE, 6 X 10	3
* SWINGARM, COMP. RR	0.7	11A	52147-KW7-900	RUBBER BUSH REAR FORK PIVOT	1
* RUBBER BUSH, RR. FORK PIVOT	1.0				
* SLIDER, CHAIN	--				