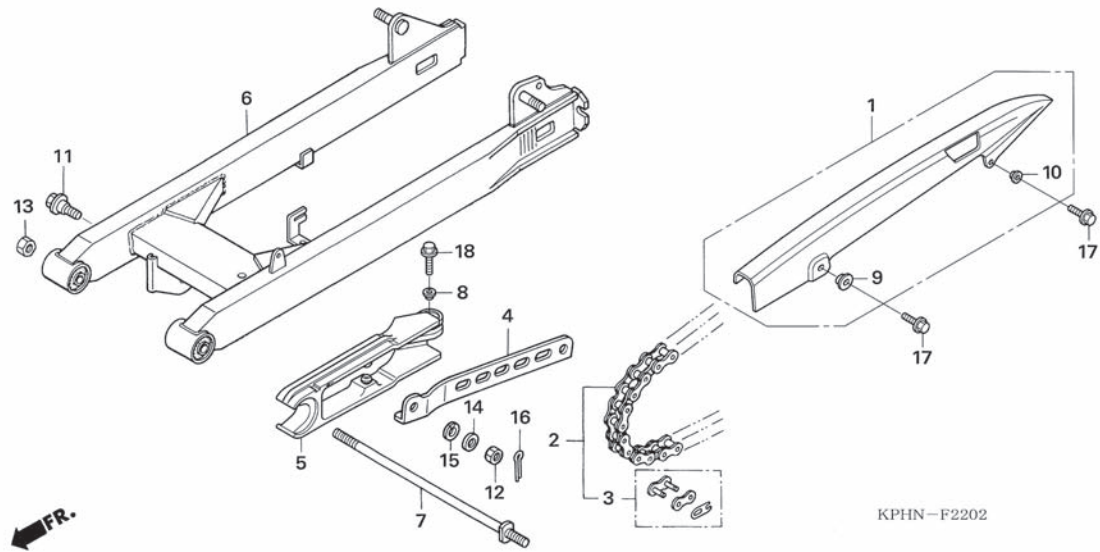


F - 24 Swingarm



Service item	F.R.T.	No.	Part Number	Description	QTY	Notes
CASE, DRIVE CHAIN.....	0.1	1	40510-KPH-720	CASE, DRIVE CHAIN	1	
CHAIN, DRIVE	0.2	2	40530-KPH-881	CHAIN, DRIVE (DAIDO) (DID420DX-104RB)	1	
ARM, REAR BRAKE STOPPER	0.3	3	40531-KPH-901	JOINT, DRIVE CHAIN	1	
		4	43431-KPH-700	ARM, RR. BRAKE STOPPER	1	
SLIDER, CHAIN	0.5	5	52170-KPH-720	SLIDER, CHAIN	1	
SWINGARM ASSEMBLY	0.7	6	52200-KTM-850ZA	SWINGARM SET, RR. *NH255M*..... SHIMMER SILVER METALLIC	1	
			52200-KTM-850ZB	*NH330M*..... MAT AXIS GRAY METALLIC	(1)	SUPRA-X 125 R
			52200-KTM-N30	SWINGARM SET, RR.	(1)	SUPRA-X 125 DD
		7	90121-KPH-900	BOLT, SWINGARM PIVOT	1	
		8	90503-KEV-880	COLLAR, FR. FENDER	1	
		9	90513-405-000	WASHER, 6x9	1	
		10	90563-KEV-750	WASHER, CHAIN CASE SETTING	1	
		11	92812-10000	BOLT A, STOPPER ARM	1	
		12	94001-08000-0S	NUT, HEX., 8MM	1	
			94031-10000	NUT, HEX., 10MM	1	
		14	94101-08000	WASHER, PLAIN, 8MM	1	
		15	94111-10000	WASHER, SPRING, 10MM	1	
		16	94201-20150	PIN, SPLIT, 2.0x15	1	
		17	95701-06010-07	BOLT, FLANGE, 6x10	2	
		18	96001-06016-00	BOLT, FLANGE, 6x16	1	