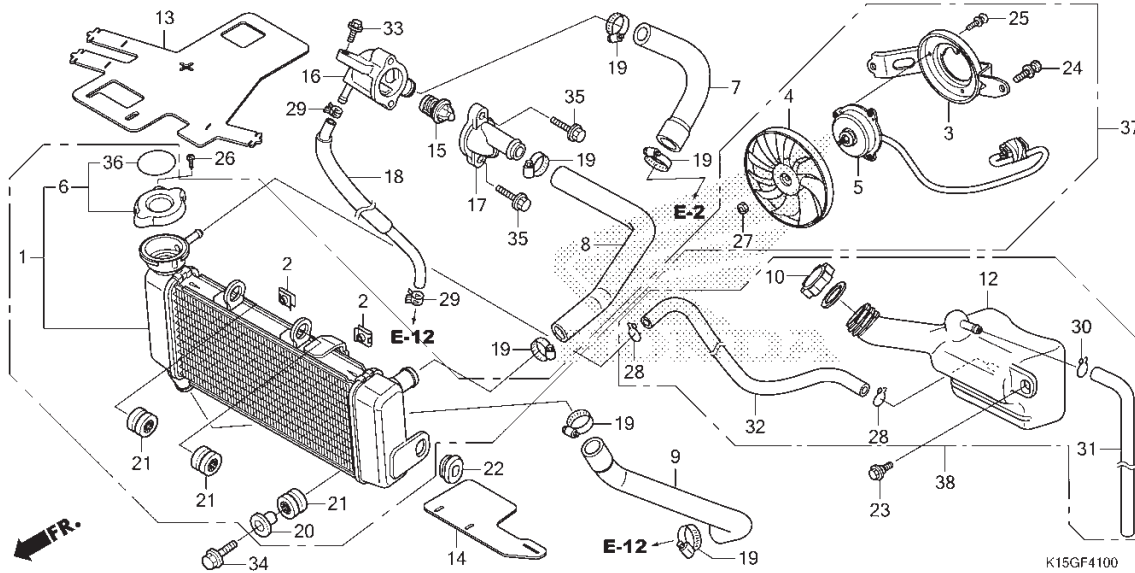


F-41

RADIATOR



No. Ref.	L.O.N.	(Nomor ref. relatif) Deskripsi	F.R.T.
1	1151C3	RADIATOR.....	0,5
3	115125	SHROUD, RADIATOR.....	0,5
4	1151A6	FAN, COOLING.....	0,5
5	1151A7	MOTOR, FAN.....	0,6
6	1151B8	CAP, RADIATOR.....	0,1
7	1141C8	HOSE, THERMOBODY.....	0,4
8	115103	HOSE, RADIATOR :UPPER.....	1,0
9	115104	HOSE, RADIATOR :LOWER.....	0,4
12	115110	TANK, RADIATOR RESERVE.....	2,7
.TERMASUK: Penurunan dan pemasangan mesin			
15	114116	THERMOSTAT.....	1,2
16	114117	CASE, THERMOSTAT.....	1,1
17	1141B3	COVER, THERMOSTAT.....	1,1
18	1141P7	TUBE, THERMOSTAT CASE.....	0,4

No. Ref.	No. Part	Deskripsi	Jumlah CB150R (CB150R) 2015(G)	No. Seri	Kode Parts Catalog
----------	----------	-----------	--------------------------------------	----------	--------------------

1	19010-K15-921	RADIATOR COMP.	1		
2	19014-KEA-003	NUT, SETTING(6MM).....	2		
3	19015-K15-921	SHROUD COMP.	1		
4	19020-KPP-T02	FAN COMP., COOLING.....	1		
5	19030-K15-921	MOTOR COMP., FAN.....	1		
6	19037-K15-921	CAP COMP., RADIATOR.....	1		
7	19061-K15-920	HOSE, THERMOSTAT.....	1		
8	19062-K15-920	HOSE, RADIATOR UPPER.....	1		
9	19063-K15-920	HOSE, RADIATOR LOWER.....	1		
10	19105-K15-900	CAP ASSY., RESERVE TANK.....	1		
12	19110-K15-900	TANK, RADIATOR RESERVE.....	1		
13	19125-K15-920	RUBBER, HEAT GUARD.....	1		
14	19127-K15-920	RUBBER, RADIATOR LOWER.....	1		
15	19300-K15-921	THERMOSTAT.....	1		
16	19311-K15-920	CASE COMP., THERMOSTAT.....	1		
17	19315-KGH-901	COVER, THERMOSTAT.....	1		
18	19320-K15-920	TUBE A, THERMOSTAT CASE.....	1		
19	19505-K45-N00	CLAMP, WATER HOSE.....	6		
20	61102-KTY-D30	COLLAR, RADIATOR MOUNTING.....	1		
21	61304-415-000	RUBBER, HEADLIGHT CASE MOUNTING	3		
22	64266-MG9-770	GROMMET, SPEAKER PANEL.....	2		
23	90116-KVB-900	BOLT, FLANGE, 6MM.....	1		
24	90120-GHB-601	BOLT-WASHER, 6X12.....	2		
25	93891-04006-07	SCREW-WASHER, 4X6.....	3		
26	93901-22021	SCREW, TAPPING, 3X6.....	1		

