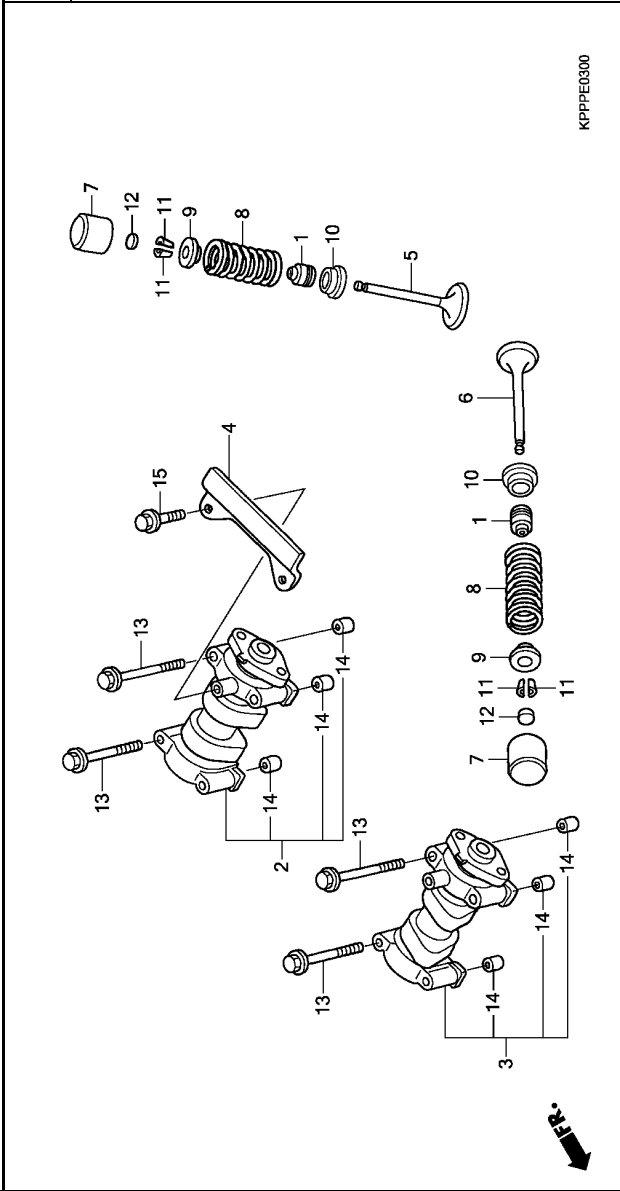


CAMSHAFT/VALVE

Ref. No.	L.O.N.	(Relative ref. Number)	Description	F.R.T.
8	1111P2	(1,9,10,11)	INTAKE VALVE SPRING AND/OR STEM SEAL(ONE) -INCLUDES: Engine removal and installation	3.1
	1111P2A		-Replace all intake spring add	0.1
	1111P3		EXHAUST VALVE SPRING AND/OR STEM SEAL(ONE) -INCLUDES: Engine removal and installation	3.1
	1111P3A		-Replace all exhaust spring add	0.1
	1111Q2		VALVE SPRING AND/OR STEM SEAL :FOR 1 VEHICLE -INCLUDES: Engine removal and installation	3.4



Ref. No.	Part No.	Description	Reqd. QTY					Serial No.	Parts catalogue code
			B	C	D	E	F		
12)	14915-KT7-013	SHIM, TAPPET(1.550)	4	4	4	4	4	4	
	14916-KT7-013	SHIM, TAPPET(1.575)	4	4	4	4	4	4	
	14917-KT7-013	SHIM, TAPPET(1.600)	4	4	4	4	4	4	
	14918-KT7-013	SHIM, TAPPET(1.625)	4	4	4	4	4	4	
	14919-KT7-013	SHIM, TAPPET(1.650)	4	4	4	4	4	4	
	14920-KT7-013	SHIM, TAPPET(1.675)	4	4	4	4	4	4	
	14921-KT7-013	SHIM, TAPPET(1.700)	4	4	4	4	4	4	
	14922-KT7-013	SHIM, TAPPET(1.725)	4	4	4	4	4	4	
	14923-KT7-013	SHIM, TAPPET(1.750)	4	4	4	4	4	4	
	14924-KT7-013	SHIM, TAPPET(1.775)	4	4	4	4	4	4	
	14925-KT7-013	SHIM, TAPPET(1.800)	4	4	4	4	4	4	
	14926-KT7-013	SHIM, TAPPET(1.825)	4	4	4	4	4	4	
	14927-KT7-013	SHIM, TAPPET(1.850)	4	4	4	4	4	4	
	14928-KT7-013	SHIM, TAPPET(1.875)	4	4	4	4	4	4	
	14929-KT7-013	SHIM, TAPPET(1.900)	4	4	4	4	4	4	
	14930-KT7-013	SHIM, TAPPET(1.925)	4	4	4	4	4	4	
	14931-KT7-013	SHIM, TAPPET(1.950)	4	4	4	4	4	4	
	14932-KT7-013	SHIM, TAPPET(1.975)	4	4	4	4	4	4	
	14933-KT7-013	SHIM, TAPPET(2.000)	4	4	4	4	4	4	
	14934-KT7-013	SHIM, TAPPET(2.025)	4	4	4	4	4	4	
	14935-KT7-013	SHIM, TAPPET(2.050)	4	4	4	4	4	4	
	14936-KT7-013	SHIM, TAPPET(2.075)	4	4	4	4	4	4	
	14937-KT7-013	SHIM, TAPPET(2.100)	4	4	4	4	4	4	
	14938-KT7-013	SHIM, TAPPET(2.125)	4	4	4	4	4	4	
	14939-KT7-013	SHIM, TAPPET(2.150)	4	4	4	4	4	4	
	14940-KT7-013	SHIM, TAPPET(2.175)	4	4	4	4	4	4	
	14941-KT7-013	SHIM, TAPPET(2.200)	4	4	4	4	4	4	
	14942-KT7-013	SHIM, TAPPET(2.225)	4	4	4	4	4	4	
	14943-KT7-013	SHIM, TAPPET(2.250)	4	4	4	4	4	4	