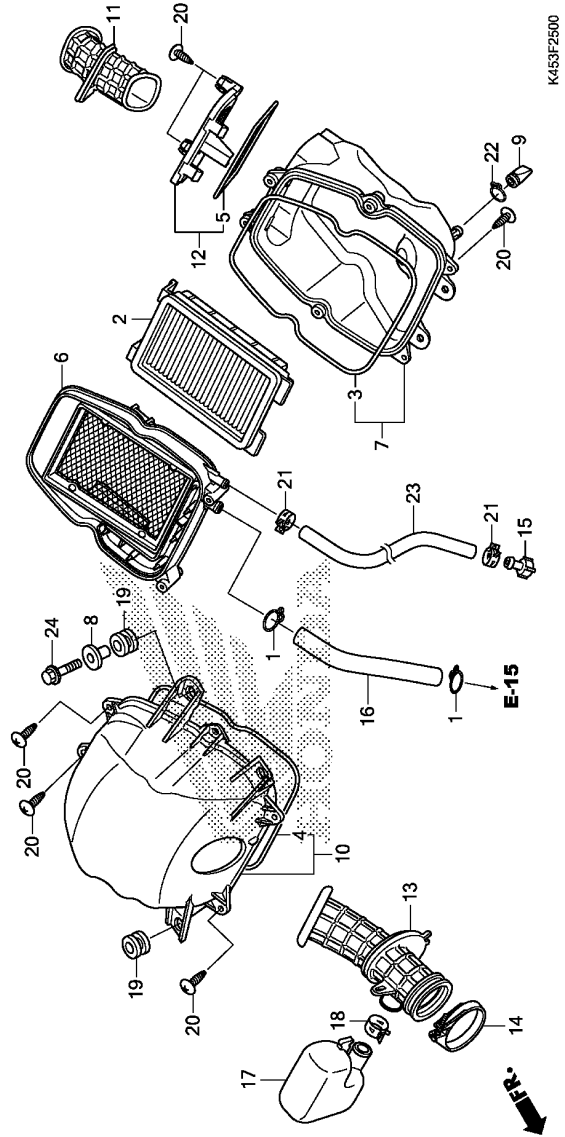


F-25

AIR CLEANER

Ref. No.	L.O.N.	(Relative ref. Number) Description	F.R.T.
2	312105	(5) ELEMENT, AIR CLEANER	0.2
6	3121A8	(3,4) BASE, AIR CLEANER ELEMENT	1.1
7	3121A5	CASE, AIR CLEANER	1.1
10	312102	COVER, AIR CLEANER CASE	1.0
11	312125	(12) DUCT, AIR CLEANER	0.2
13	3121B6	TUBE, AIR CLEANER CONNECTING	1.0
17	3121C1	RESONATOR	0.8



Ref. No.	Part No.	Description	Reqd. QTY		Serial No.	Parts catalogue code
			CBR 150R H	H		
1	15772-MN1-670	CLIP B, BREATHER TUBE	2			
2	17211-K15-900	ELEMENT COMP., AIR CLEANER ..	1			
3	17213-K15-900	SEAL, AIR CLEANER CASE	1			
4	17213-K15-900	SEAL, AIR CLEANER CASE	1			
5	17214-K45-N00	SEAL, LID	1			
6	17220-K15-900	HOLDER COMP., ELEMENT	1			
7	17225-K15-920	CASE SUB ASSY., AIR CLEANER ..	1			
8	17232-KYJ-900	COLLAR, AIR CLEANER MOUNTING ..	2			
9	17234-KCW-871	TUBE, AIR CLEANER DRAIN	1			
10	17235-K45-N00	COVER SUB ASSY., AIR CLEANER ..	1			
11	17240-K45-N40	DUCT, INLET	1			
12	17245-K45-N00	LID SUB ASSY., AIR CLEANER ..	1			
13	17253-K15-920	TUBE, AIR CLEANER CONNECTING ..	1			
14	17256-K56-N00	BAND, AIR CLEANER CONNECTING TUBE(42)	1			
15	17370-419-700	PLUG, BREATHER TUBE	1			
16	17371-K15-920	TUBE, BREATHER	1			
17	17410-K15-920	RESONATOR	1			
18	19509-KPH-900	CLAMP, TUBE(D19)	1			
19	83545-KCJ-690	RUBBER, SIDE COVER	4			
20	93903-25480	SCREW, TAPPING, 5X20	10			
21	95002-41200-08	CLAMP, TUBE(D12)	2			
22	95002-80000	CLIP, TUBE(C12)	1			
23	95003-23011-31	TUBE, VINYL, 8X12X110 (95003-23001-60M)	1			
24	95701-06020-08	BOLT, FLANGE, 6X20	2			