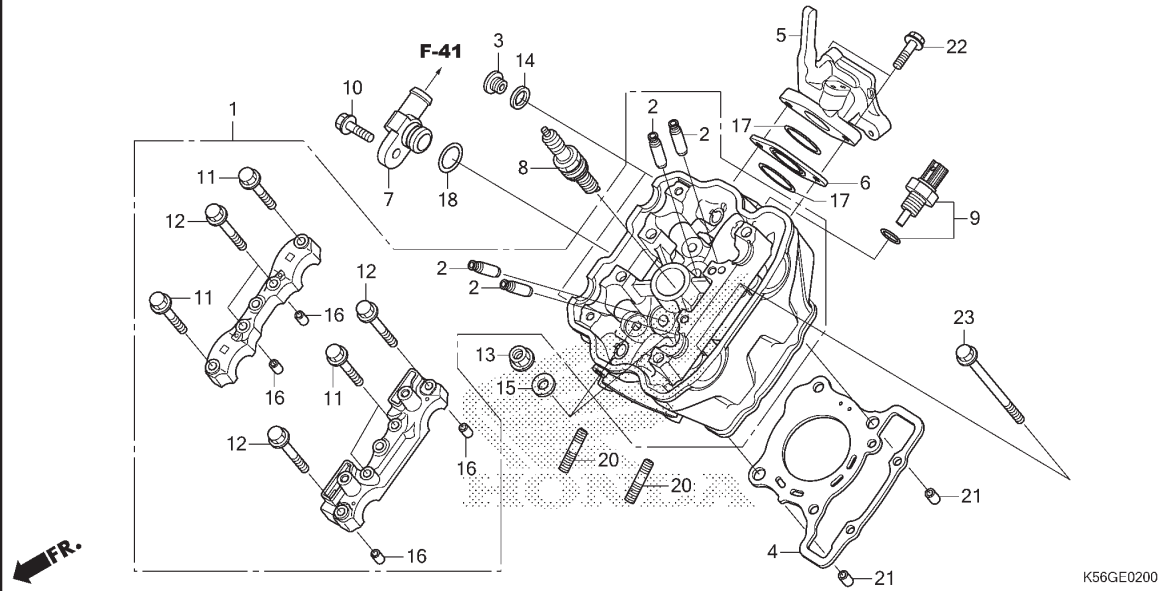


# E-2

# CYLINDER HEAD



No. Ref.	L.O.N.	(Nomor ref. relatif) Deskripsi	F.R.T.
1	111106	HEAD, CYLINDER ..... .TERMASUK: Penyetelan dan skir klep	3,7
2	1111L9	GUIDE, INTAKE VALVE(SATU) ..... .TERMASUK: Reaming .TERMASUK: Penyetelan dan skir klep	3,3
	1111L9A	.Ganti semua intake valve guide tambahkan.....	0,3
	1111M0	GUIDE, EXHAUST VALVE(SATU) ..... .TERMASUK: Reaming .TERMASUK: Penyetelan dan skir klep	3,3
	1111MOA	.Ganti semua exhaust valve guide tambahkan.....	0,3
	1111M9	GUIDE, VALVE :UNTUK 1 KENDARAAN ..... .TERMASUK: Reaming .TERMASUK: Penyetelan dan skir klep	4,2
4	111115	GASKET, CYLINDER HEAD ..... (6,17)	2,4
5	111107	MANIFOLD, INTAKE ..... (18)	1,1
7	114150	JOINT, WATER .....	0,4
8	614130	PLUG, SPARK .....	0,8

No. Ref.	No. Part	Deskripsi	Jumlah SUPRA GTR 150 (FS150F) 2016(G)	No. Seri	Kode Parts Catalog
1	1200A-K56-N00	HEAD ASSY., CYLINDER .....	1		
2	12205-KYJ-305	GUIDE, EX. VALVE(O.S.) .....	4		
3	12207-KYJ-900	BOLT, SEALING, 12MM .....	2		
4	12251-K56-N01	GASKET, CYLINDER HEAD ..... (STD./0.25/0.50)	1		
	12251-K56-N02	GASKET, CYLINDER HEAD(NLK) .... (STD./0.25/0.50)	1		
5	17111-K56-N00	PIPE, IN. ....	1		
6	17119-K56-N00	INSULATOR, IN. PIPE .....	1		
7	19064-KPP-900	JOINT, WATER .....	1		
8	31919-K25-601	PLUG, SPARK(MR9C-9N) (NG) .....	1		
	31919-K25-602	PLUG, SPARK(U27EPR-N9) (DS) ....	1		
9	37870-K56-N11	SENSOR ASSY., WATER TEMPERATURE	1		
10	90004-GHB-661	BOLT, FLANGE, 6X22(NSHF) .....	1		
11	90017-K56-N00	BOLT, FLANGE, 6X32 .....	4		
12	90019-K56-N00	BOLT, FLANGE, 6X40 .....	4		
13	90202-KGB-611	NUT, FLANGE, 8MM .....	4		
14	90418-KYJ-900	WASHER, 12.2X17X1.5 .....	2		
15	90483-K15-900	WASHER, 8MM .....	4		
16	90702-KRM-840	DOWEL PIN, 8X14 .....	4		
	94301-08140	.....	4		
17	91301-K56-N00	O-RING, IN. PIPE .....	2		
18	91301-KV7-671	O-RING, 14.8X1.9 .....	1		
20	92900-08025-0E	BOLT, STUD, 8X25 .....	2		

