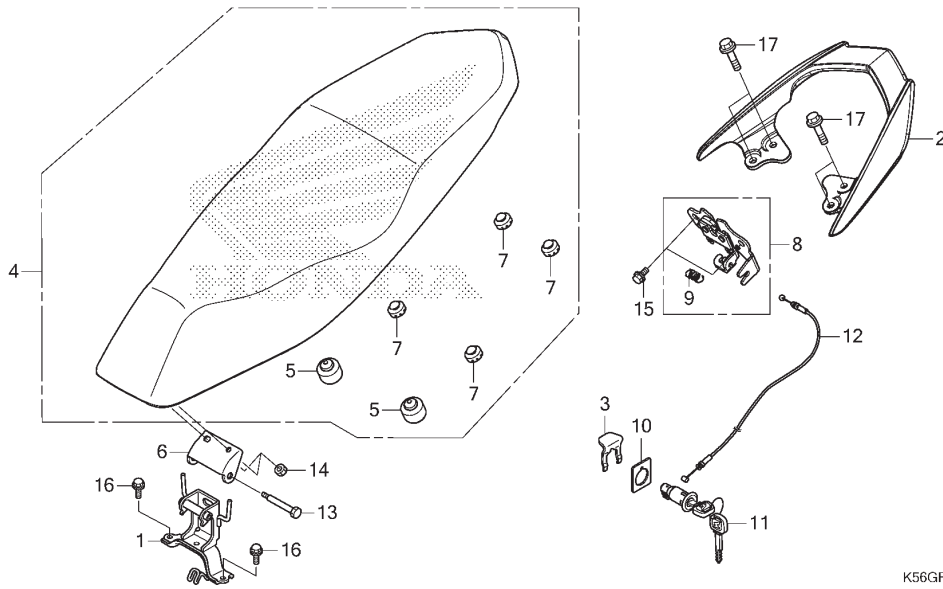


# F-23

# SEAT



No. Ref.	L.O.N.	(Nomor ref. relatif) Deskripsi	F.R.T.
1	4131P0	HINGE, SEAT.....	0,2
2	4131F6	RAIL, GRAB :REAR.....	0,1
4		(6)	
	4131E4	SEAT :DOUBLE.....	0,1
8	4131E8	CATCH, SEAT :REAR SIDE.....	1,2
11	4131F2	KEY, SEAT LOCK.....	1,2
12	811175	CABLE, SEAT LOCK.....	1,2

3

No. Ref.	No. Part	Deskripsi	Jumlah SUPRA GTR 150(FS150F) 2016(G)	No. Seri	Kode Parts Catalog
1	50193-K56-N10	STAY, SEAT HINGE.....	1		
2	50400-K56-N10ZA	GRIP, RR. *NH303M*			
3	75581-GN8-920	MAT AXIS GRAY METALLIC	1		
4	77200-K56-N10	SPRING, LOCK KEY SETTING.....	1		
5	77206-426-000	SEAT COMP., DOUBLE.....	1		
6	77210-K56-N00	RUBBER, SEAT SETTING.....	2		
7	77215-KW7-901	HINGE, SEAT.....	1		
8	77230-K56-N10	RUBBER C, SEAT SETTING.....	4		
9	77234-K35-V00	CATCH COMP., SEAT.....	1		
10	77236-GW0-000	SPRING, SEAT LOCK.....	1		
11	77239-KVB-900	WASHER, SEAT LOCK.....	1		
12	77240-K56-N11	KEY, SEAT LOCK.....	1		
13	90105-KPH-901	CABLE COMP., SEAT LOCK.....	1		
14	94001-06070-0S	BOLT, SEAT HINGE.....	1		
15	95701-06010-00	NUT, HEX., 6MM.....	2		
16	95701-06012-00	BOLT, FLANGE, 6X10.....	2		
17	95701-08018-01	BOLT, FLANGE, 8X18.....	4		