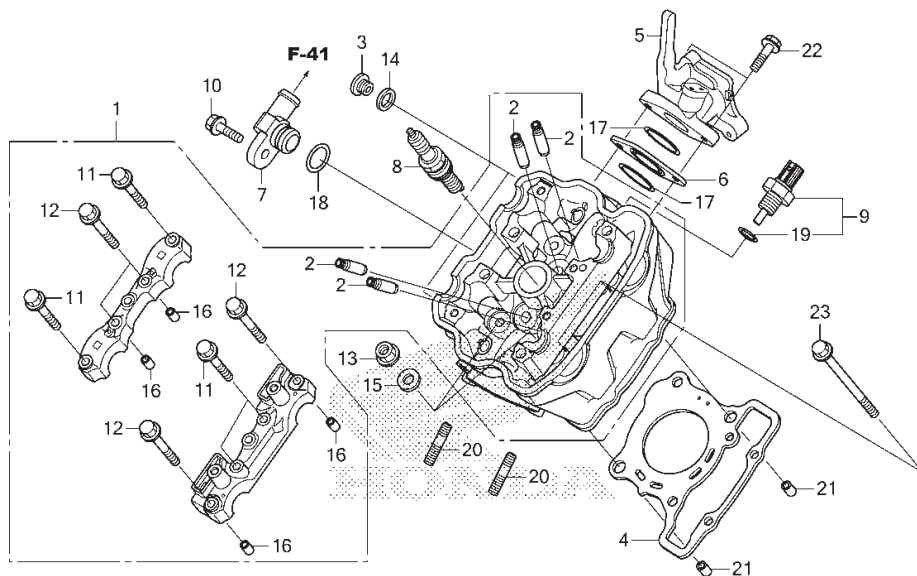


# E-2

# CYLINDER HEAD



K568E0200

No. Ref.	L.O.N.	(Nomor ref. relatif) Deskripsi	F.R.T.
7		(18)	
8	114150	JOINT, WATER.....	0,7
9	614130	PLUG, SPARK.....	0,6
		(19)	
	6171A9	SENSOR, WATER TEMP.....	0,8

2

No. Ref.	No. Part	Deskripsi	Jumlah SONIC 150R (FS150R) 2015(G)	No. Seri	Kode Parts Catalog
21	94301-10120	DOWEL PIN, 10X12 .....	2		
22	95701-06025-00	BOLT, FLANGE, 6X25 .....	2		
23	95701-06115-00	BOLT, FLANGE, 6X115 .....	2		