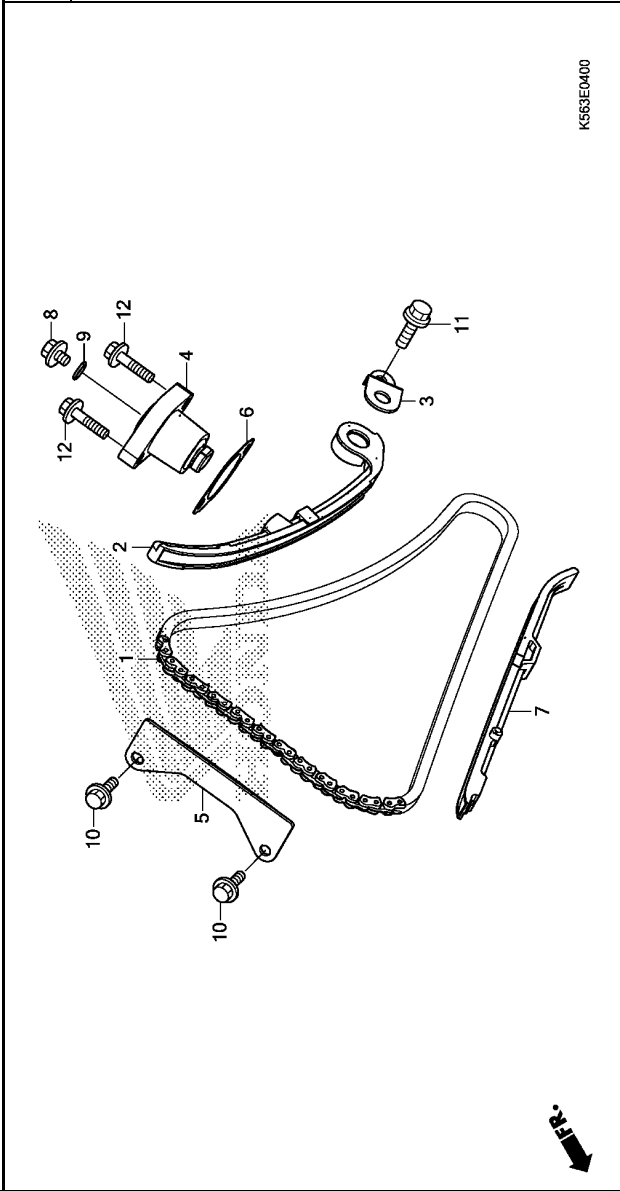


E-4 CAM CHAIN/TENSIONER

Ref. No.	L.O.N.	(Relative ref. Number)	Description	F.R.T.
1	110140		CHAIN, CAM	1.9
2	111130		TENSIONER, CAM CHAIN	1.9
4	111133		LIFTER, TENSIONER	0.6
5	1111G9		GUIDE B, CAM CHAIN	0.8
7	111139		GUIDE, CAM CHAIN	2.1



Ref. No.	Part No.	Description	Reqd. QTY		Serial No.	Parts catalogue code
			FS	G		
1	14401-K56-N01	CHAIN, CAM(120L) (FSCM)	1			
2	14510-K56-N00	TENSIONER COMP., CAM CHAIN	1			
3	14515-K56-N00	PLATE, TENSIONER SETTING	1			
4	14520-KPP-T01	LIFTER ASSY., TENSIONER	1			
5	14546-K56-N00	GUIDE B, CAM CHAIN	1			
6	14560-KSP-910	GASKET, TENSIONER LIFTER	1			
7	14611-K56-N00	GUIDE A, CAM CHAIN	1			
8	90005-K56-N00	BOLT, FLANGE, 6X6	1			
9	91306-MG3-000	O-RING, 1.5X9.5	1			
10	95701-06014-00	BOLT, FLANGE, 6X14	2			
11	96001-06014-00	BOLT, FLANGE, 6X14	1			
12	96001-06022-00	BOLT, FLANGE, 6X22	2			