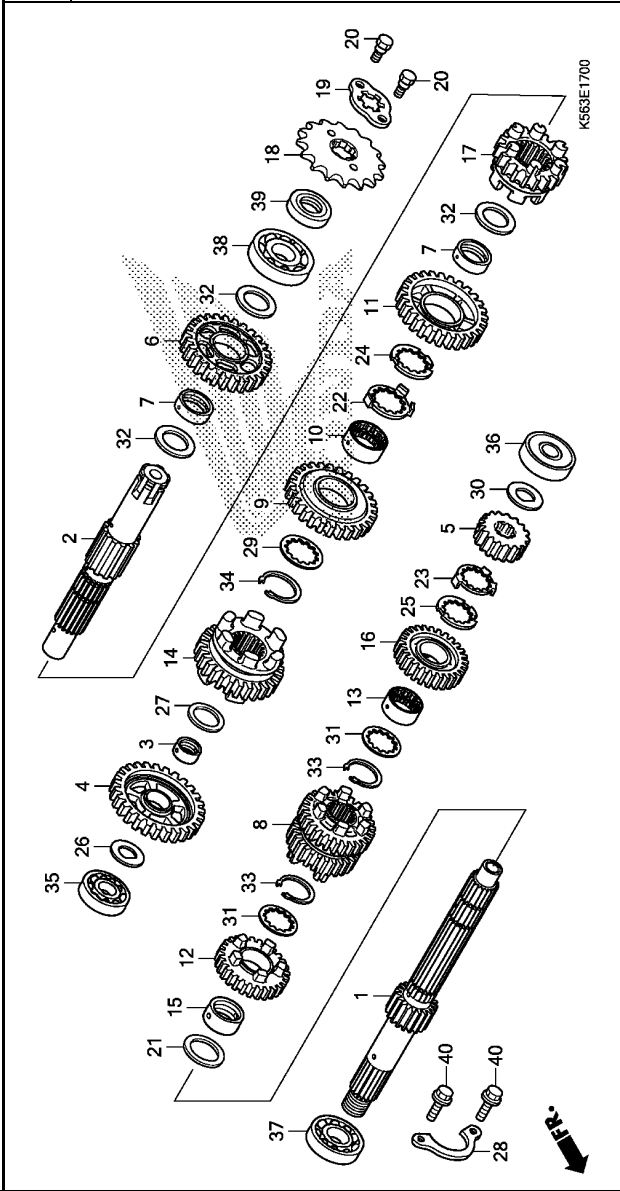


TRANSMISSION

Ref. No.	L.O.N.	(Relative ref. Number)	Description	F.R.T.
+38			INCLUDES: Engine removal and installation	
	2101C9		BEARING, COUNTERSHAFT :BOTH	6.0
	2101D4		INCLUDES: Engine removal and installation	
			BEARING, MAINSHAFT AND COUNTERSHAFT :ALL	6.2
	39	2101G7	OIL SEAL, COUNTERSHAFT :LEFT	5.6
			INCLUDES: Engine removal and installation	



Ref. No.	Part No.	Description	Reqd. QTY		Serial No.	Parts catalogue code
			FS	G		
25	90402-K56-N00	WASHER, SPLINE, 17MM	1			
26	90412-K56-N00	WASHER, SPECIAL, 15MM	1			
27	90412-187-000	WASHER, THRUST, 15MM	1			
28	90441-KW7-930	PLATE, BEARING HOLDER	1			
29	90451-K56-N00	WASHER, SPLINE, 20MM	1			
30	90452-KGH-900	WASHER, SPECIAL, 12MM	1			
31	90452-KRM-840	WASHER, SPLINE, 17X23X1.6	2			
32	90454-KPH-900	WASHER, 25X20.2X1	3			
33	90601-KRM-840	CIRCLIP, 17MM	2			
34	90605-KVS-900	SET RING, 20MM	1			
35	91004-K56-N01	BEARING, RADIAL BALL, 6202U (SKF)	1			
36	91005-K56-N01	BEARING, RADIAL BALL, 6201U (SKF)	1			
37	91006-K56-N01	BEARING, RADIAL BALL, 6203 (SKF)	1			
	91006-K56-N02	BEARING, RADIAL BALL, 6203 (FUJIKOSHI)	1			
38	91010-K56-N01	BEARING, RADIAL BALL, 6204 (SKF)	1			
39	91216-KGH-901	OIL SEAL, 20X34X7	1			
40	95701-06014-00	BOLT, FLANGE, 6X14	2			