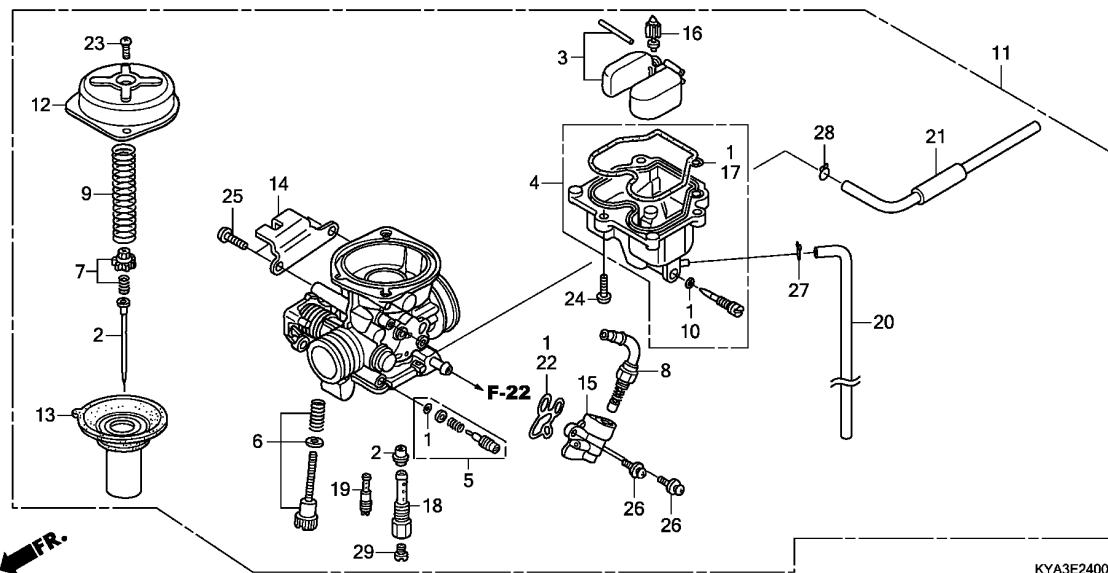


# E-24

# CARBURETOR

# E 3



Ref. No.	L.O.N.	(Relative ref. Number) Description	F.R.T.
2	3111A3	NEEDLE, JET .....	0.7
3		(16)	
	311120	FLOAT OR FLOAT VALVE .....	0.6
4	3111A6	CHAMBER, FLOAT .....	0.5
8	311125	VALVE, STARTER .....	0.4
11	3111B5	CARBURETOR ASSEMBLY .....	0.6
13	311109	PISTON, VACUUM .....	0.4
29		(18,19)	
	3111D4	JET, MAIN .....	0.6

Ref. No.	Part No.	Description	Reqd. QTY	Serial No.	Parts catalogue code
			GL150 1WH C		
1	16010-KSP-911	GASKET SET .....	1		
2	16012-KYA-B01	NEEDLE SET, JET .....	1		
3	16013-KRC-921	FLOAT SET .....	1		
4	16015-KVX-601	CHAMBER SET, FLOAT .....	1		
5	16016-KRP-981	SCREW SET A .....	1		
6	16028-KPP-901	SCREW SET B .....	1		
7	16037-KPP-861	PLATE SET, VALVE .....	1		
8	16046-KVC-901	VALVE SET, STARTER .....	1		
9	16050-KYA-B01	SPRING, COMPRESSION COIL .....	1		
10	16075-KRP-981	O-RING .....	1		
11	16100-KYA-B01	CARBURETOR ASSY. (AVK3BW A) ..	1		
12	16107-KGF-911	TOP .....	1		
13	16111-KYA-B01	PISTON COMP., VACUUM .....	1		
14	16119-KVX-601	STAY, WIRE .....	1		
15	16140-KVC-901	BODY COMP., BYSTARTER .....	1		
16	16155-KFR-701	VALVE COMP., FLOAT .....	1		
17	16163-KRP-981	GASKET, FLOAT CHAMBER .....	1		
18	16165-KYA-B01	HOLDER, NEEDLE JET .....	1		
19	16180-KGF-911	JET, SLOW, #38 .....	1		
20	16196-KYA-B01	TUBE .....	1		
21	16197-KYA-B01	TUBE COMP., AIR VENT .....	1		
22	16423-KGH-901	GASKET, BYSTARTER .....	1		
23	93500-04008-1H	SCREW, PAN, 4X8 .....	2		
24	93500-04012-0H	SCREW, PAN, 4X12 .....	3		
25	93500-05012-1H	SCREW, PAN, 5X12 .....	2		