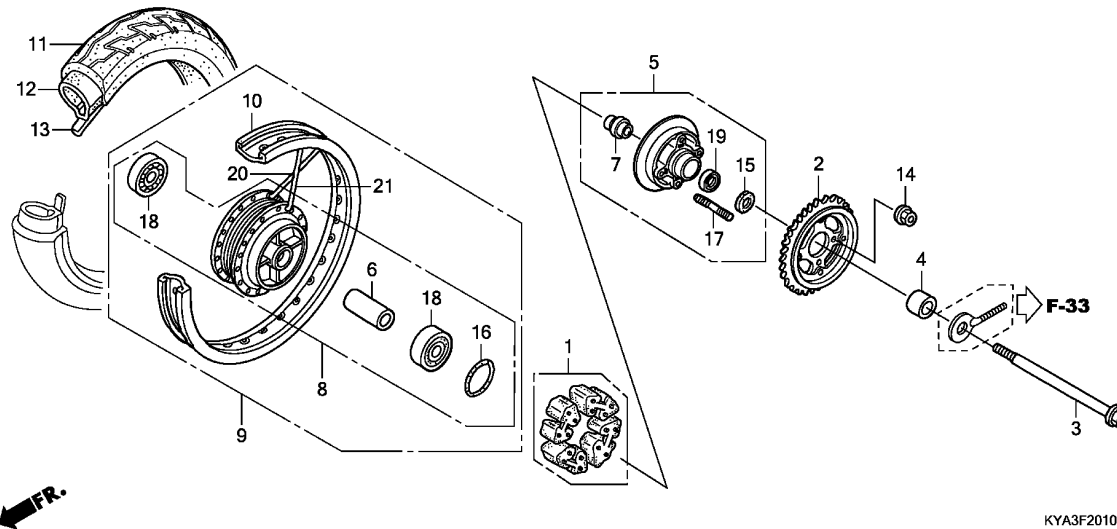


F-20-10

REAR WHEEL

F13



Ref. No.	L.O.N.	(Relative ref. Number) Description	F.R.T.
1	710157	DAMPER, REAR WHEEL	0.3
2	7101A0	SPROCKET, FINAL DRIVEN	0.4
3	710160	AXLE, REAR WHEEL	0.3
5	7101A5	FLANGE ASSY., FINAL DRIVEN ...	0.4
8	710121	HUB, REAR WHEEL	2.3
9	710118	REAR WHEEL	0.8
10	710127	RIM, WHEEL :REAR	2.2
11		(13)	
12	710142	REAR TIRE(ONE)	0.8
		(13)	
	7101A7	TUBE, REAR TIRE(ONE)	0.8
18	710133	BEARING, REAR WHEEL(ONE)	0.5
	710133G	.Replace 1 bearing add	0.1
19	7101D1	BEARING, FINAL DRIVEN FLANGE ..	0.5

Ref. No.	Part No.	Description	Reqd. QTY GL150 1WH C	Serial No.	Parts catalogue code
1	06410-KSP-900	DAMPER SET, WHEEL	1		
2	41200-KYA-600	SPROCKET COMP., FINAL DRIVEN (43T)	1		
3	42301-KVX-600	AXLE, RR. WHEEL	1		
4	42311-KVX-600	COLLAR, L. RR. WHEEL SIDE ...	1		
5	42615-KYA-600ZA	FLANGE SUB ASSY., RR. DRIVEN *NH132M*..MAX SILVER METALLIC	1		
6	42620-KVX-600	COLLAR, RR. AXLE DISTANCE ...	1		
7	42625-KTT-900	COLLAR B, RR. AXLE DISTANCE ..	1		
8	42635-KVX-600ZA	HUB SUB ASSY., RR. *NH132M*..MAX SILVER METALLIC	1		
9	42650-KYA-600ZA	WHEEL SUB ASSY., RR. *NH132M*..MAX SILVER METALLIC	1		
10	42701-KWK-920	RIM, RR. WHEEL	1		
11	42711-KTJ-C60	TIRE, RR. (90/90-18M/C 51P) ..	1		
12	42712-KTJ-C60	TUBE, TIRE(3.00-18)	1		
13	42713-KPN-B20	FLAP, TIRE(KENDA) (18X1.85) ..	1		
14	90304-KYA-601	NUT, FLANGE, 10MM(PT)	4		
15	91252-KYA-600	DUST SEAL, 31X47X7	1		
16	91352-KSP-900	O-RING, 51X2	1		
17	92915-10025-0E	BOLT, STUD, 10X25	4		
18	96140-63020-10	BEARING, RADIAL BALL, 6302U ..	2		
19	96150-60050-10	BEARING, RADIAL BALL, 6005UU ..	1		
20	97226-52157-PO	SPOKE SET(B9X158.5)	18		
		(INSIDE)			

3