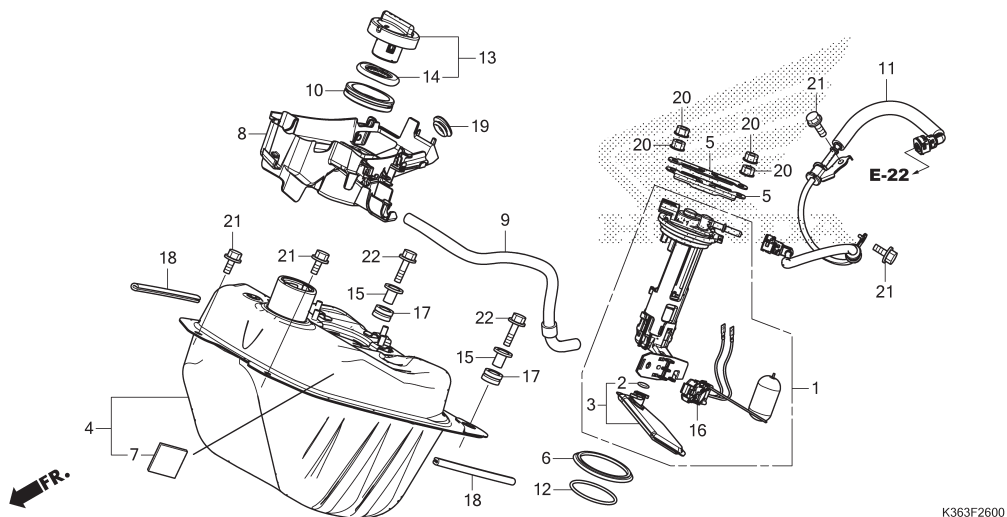


F-26

FUEL TANK



No. Ref.	L.O.N.	(Nomor ref. relatif) Deskripsi	F.R.T.
1		(6,12)	
3	3101A0	PUMP, FUEL	3,1
		(2)	
4	3101C7	FILTER, FUEL	3,2
8	310100	TANK, FUEL	3,2
11	3101A7	TRAY, FUEL TANK	2,4
16	310162	HOSE, FUEL FEED	1,1
	617105	FUEL TANK SENDING UNIT	3,2

3

No. Ref.	No. Part	Deskripsi	Jumlah PCX150 EX F	No. Seri	Kode Parts Catalog
1	16700-K35-V01	PUMP UNIT, FUEL	1		
2	16706-GGL-J01	O-RING, 6.8X1.9	1		
3	16707-K35-V01	FILTER SET	1		
4	17510-K35-J00	TANK COMP., FUEL	1		
5	17517-GGL-J00	RETAINER, FUEL PUMP	2		
6	17518-GGL-J00	DUST SEAL	1		
7	17519-K35-V00	FILM, TANK PROTECTOR	1		
8	17525-K35-V00	TRAY, FUEL	1		
9	17526-K35-V00	TUBE, FUEL TRAY DRAIN	1		
10	17527-K35-V00	RUBBER, FUEL SEAL	1		
11	17570-K36-J01	HOSE COMP., FUEL FEED	1		
12	17572-GGL-J00	O-RING, FUEL PUMP	1		
13	17620-K35-J01	CAP COMP., FUEL FILLER	1		
14	17632-383-831	PACKING, FUEL FILLER CAP	1		
15	18357-KA4-710	COLLAR, SILENCER	2		
16	37800-K35-V01	FUEL UNIT	1		
17	38119-MM8-000	GROMMET, HORN STAY	2		
18	64415-KPH-B30	RUBBER, BODY COVER SETTING	2		
19	83551-GE2-000	GROMMET, AIR CLEANER CASE	1		
20	94050-06000	NUT, FLANGE, 6MM	4		
21	95701-06012-00	BOLT, FLANGE, 6X12	4		
22	95701-06025-00	BOLT, FLANGE, 6X25	2		