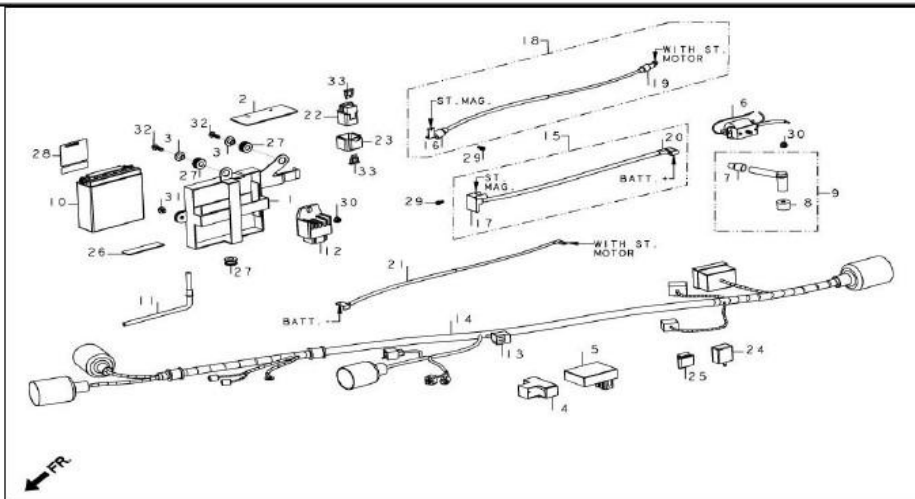


F-24-A  
WIRE HARNESS/BATTERY (SELF START)



| Service Item               | F.R.T. | BOM Of Group Number: F-24-A Model :: CBZ* (Mar, 2004) |                |                          |      |
|----------------------------|--------|---|----------------|--------------------------|------|
|                            |        | Ref No.   | Part Number    | Description              | Req. |
| UNIT COMP.,C.D.I           | 0.4    | 21  | 32601-KCT-690  | CABLE, BATTERY EARTH     | 1    |
| COIL ASSY., IGNITION       | --     | 22  | 35850-KCN-000  | SW.ASSY., START MAG      | 1    |
| RECTIFIER COMP., REGULATOR | 0.6    | 23  | 35856-KBG-007  | RUBBER,SHOCK             | 1    |
| HARNESS, WIRE              | 1.0    | 24  | 38301-GE8-000  | RELAY COMP., WINKER      | 1    |
| CABLE, ST. MAG. BATTERY    | --     | 25  | 38306-GE7-000  | SUSPENSION, WINKER RELAY | 1    |
| CABLE, START MOTOR         | --     | 26  | 50383-KFN-970  | RUBBER, BATTERY          | 6    |
| CABLE, BATTERY EARTH       | --     | 27  | 77202-KCC-900  | RUBBER, SEAT MOUNTING    | 3    |
| SWITCH ASSY., START MAG.   | --     | 28  | 87506-KRC-900  | MARK, BATTERY CAUTION    | 1    |
| RELAY COMP., WINKER        | --     | 29  | 90111-MRS-000  | BOLT, SOCKET, 5X9        | 2    |
|                            |        | 30  | 94050-06000    | NUT, FLANGE, 6 MM        | 2    |
|                            |        | 31  | 95701-06008-00 | BOLT, FLANGE, 6X8        | 1    |
|                            |        | 32  | 95701-06022-07 | BOLT,FLANGE,6 X 22       | 2    |
|                            |        | 33  | 98200-31500    | BLADE, FUSE, 15A         | 2    |