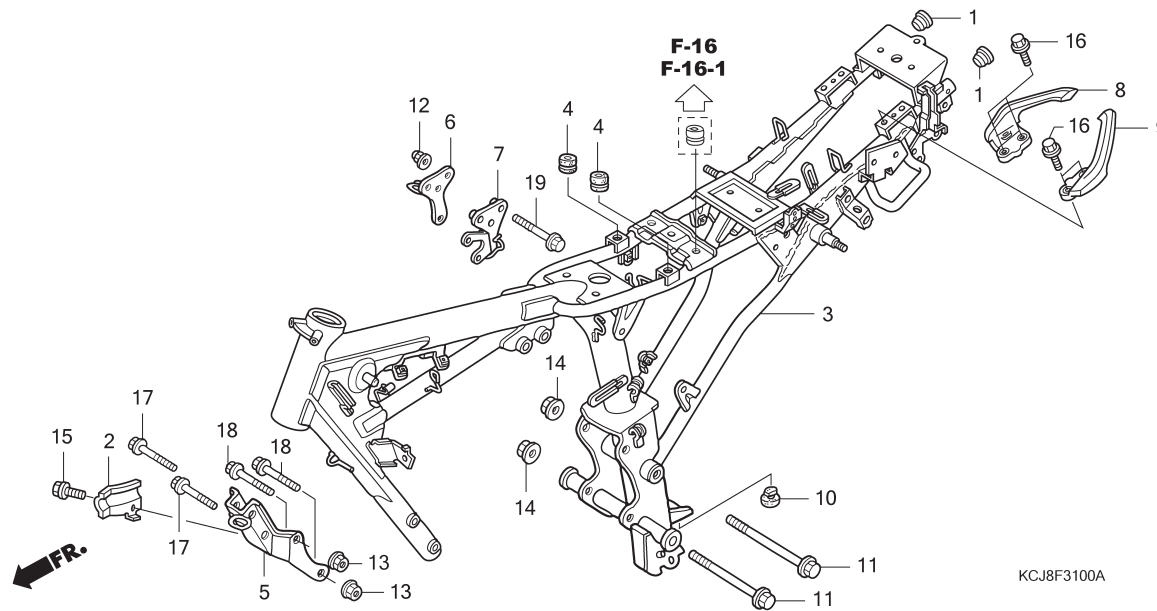


F - 31 Frame Body



KCJ8F3100A

3

No.	Service item	F.R.T.	No.	Part Number	Description	QTY	Notes
3	BODY, FRAME.....	5.3	1	19902-865-780	GROMMET A, SIDE COVER	2	
5	PLATE, FRONT ENGINE HANGER ...	0.2	2	22880-KCJ-660	COVER, CLUTCH CABLE	1	
			3	50100-KCJ-660	BODY COMP., FRAME	1	TIGER REVO
8	RAIL, GRAB :RIGHT.....	0.1		50100-KCJ-650	BODY COMP., FRAME	(1)	NEW TIGER REVO
9	RAIL, GRAB :LEFT.....	0.1	4	50328-KCJ-690	RUBBER, SEAT MOUNTING	2	
	RAIL, GRAB :BOTH.....	0.1	5	50351-KCJ-660	PLATE, FR. ENGINE HANGER	1	
			6	50353-KCJ-760	PLATE, R. ENGINE UPPER HANGER	1	
			7	50354-KCJ-660	PLATE, L. ENGINE UPPER HANGER	1	
			8	50400-KCJ-660	GRIP, R. RR.		
					NH255MSHIMMER SILVER METALLIC	1	TIGER REVO SW
					NH303MMAT AXIS GRAY METALLIC	(1)	TIGER REVO CW
			9	50450-KCJ-660	GRIP, L. RR.		
					NH255MSHIMMER SILVER METALLIC	1	TIGER REVO SW
					NH303MMAT AXIS GRAY METALLIC	(1)	TIGER REVO CW
			10	50524-KBW-900	RUBBER, STAND STOPPER	1	
			11	90019-399-010	BOLT, FLANGE, 10X110	2	
			12	90443-107-000	NUT, CAP, 8MM	3	
			13	94050-08000	NUT, FLANGE, 8MM	4	
			14	94050-10000	NUT, FLANGE, 10MM	2	
			15	95701-06012-00	BOLT, FLANGE, 6X12	1	