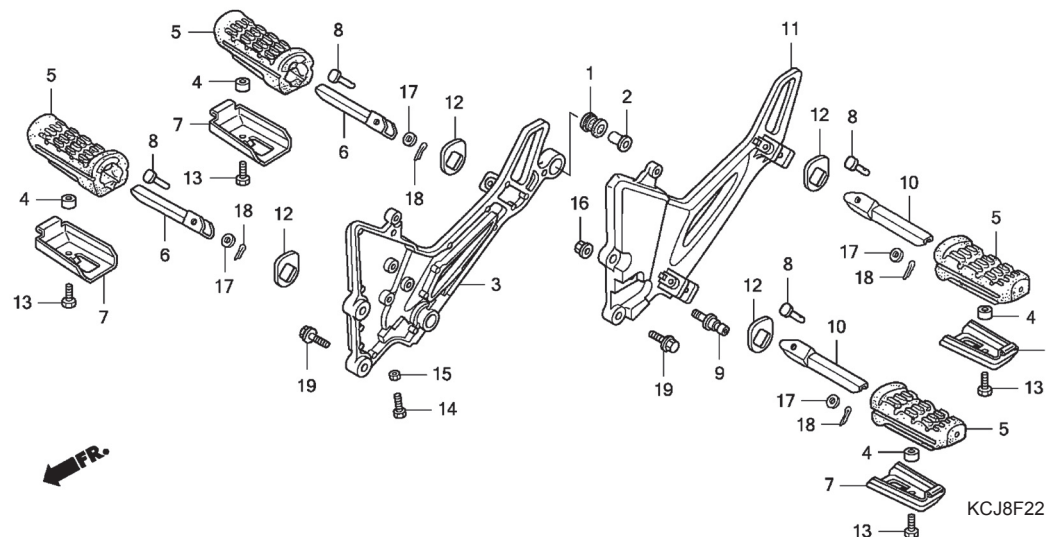


# F - 22

## Step



KCJ8F22

Bagian yang diservice	F.R.T.	Nomor Petunjuk	Nomor Part	Uraian Part	Jumlah	Nomor Serie	Catatan
HOLDER, STEP :RIGHT .....	0.3	1	18421-438-670	RUBBER, MUFFLER MOUNTING	1		
HOLDER, STEP :BOTH .....	0.9	2	18442-KEH-600	COLLAR, MUFFLER MOUNTING	1		
BAR, MAIN STEP :RIGHT.....	0.1	3	50600-KCJ-660	HOLDER, R. STEP			
BAR, MAIN STEP :BOTH.....	0.2			*NH255M*			
BAR, PILLION STEP :RIGHT .....	0.1			SHIMMER SILVER METALLIC	1	IN	
BAR, PILLION STEP :BOTH.....	0.2		50600-KCJ-670	*NH194MU*	1	2IN	
BAR, MAIN STEP :LEFT .....	0.1	4	50618-KE8-000	COLLAR, 6.5X11X3	4		
BAR, MAIN STEP :BOTH.....	0.2	5	50632-MJ0-000	RUBBER, STEP	4		
BAR, PILLION STEP :LEFT .....	0.1						
BAR, PILLION STEP :BOTH.....	0.2	6	50635-MJ0-000	BAR COMP., R. STEP	2		
HOLDER, STEP :LEFT .....	0.6	7	50636-KCJ-710	PLATE, PILLION STEP	4		
HOLDER, STEP :BOTH .....	0.9	8	50639-KCJ-690	PIN, STEP BAR JOINT	4		
		9	50643-KN6-910	PIVOT, CHANGE PEDAL	1		
		10	50645-MJ0-000	BAR COMP., L. STEP	2		
		11	50700-KCJ-660	HOLDER, L. STEP			
				*NH255M*			
				SHIMMER SILVER METALLIC	1	IN	
			50700-KCJ-670	*NH194MU*	1	2IN	
		12	50713-KCJ-710	WASHER, STEP	4		
		13	92101-06012-0A	BOLT, HEX., 6X12	4		
		14	92101-06014-0A	BOLT, HEX., 6X14	1	IN	
		15	94001-06000-0S	NUT, HEX., 6MM	1	IN	
		16	94050-08080	NUT, FLANGE, 8MM	1		
		17	94102-08000	WASHER, PLAIN, 8MM	4		
		18	94201-20150	PIN, SPLIT, 2.0X15	4		
		19	95701-10030-00	BOLT, FLANGE, 10X30	2		