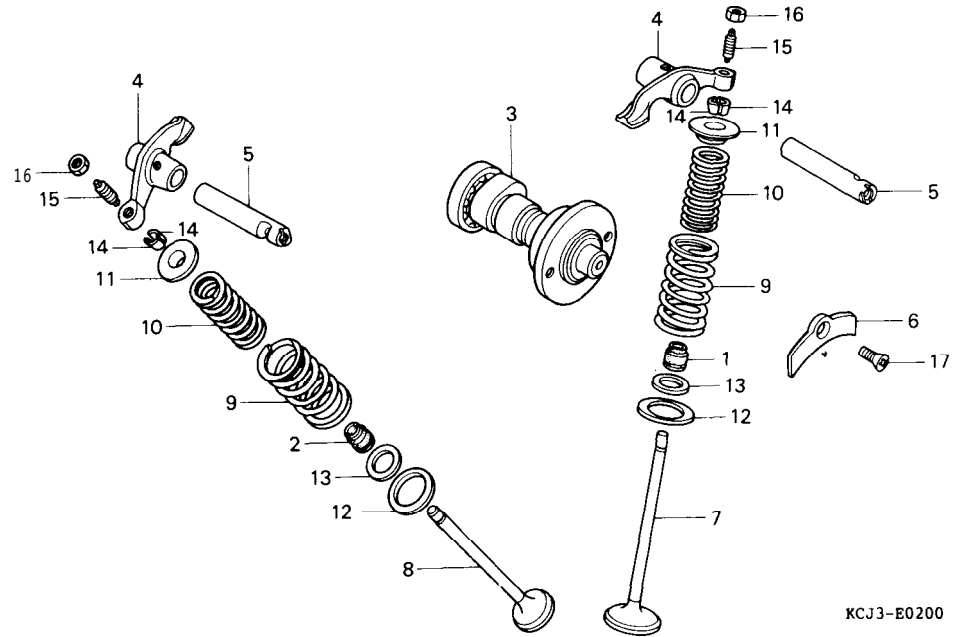


E - 2

Camshaft-Valve



KCJ3-E0200

Service item Bagian yang diservis	F. R. T.	Ref.No. Nomor Petunjuk	Part No. Nomor Part	Description Nama Parr	Reqd. No. Jumlah GL 200	Serial No. Nomor Serie	Notes Catatan
CAMSHAFT COMP.....	*2.8	1	12209-KL4-005	SEAL, VALVE STEM.....	1		
ARM, VALVE ROCKER.....	*2.4	2	12209-428-003	SEAL, VALVE STEM (ARAI).....	1		
(ADD 0.1 FOR EACH. tambahkan 0,1 untuk masing ²)		3	14100-KCJ-710	CAMSHAFT COMP.....	1		
VALVE.....	*3.6	4	14431-383-000	ARM, VALVE ROCKER.....	2		
(ADD 0.2 FOR EACH. tambahkan 0,2 untuk masing ²)		5	14451-437-000	SHAFT, VALVE ROCKER ARM.....	2		
(INC. REFACING - termasuk skur klep) (EXC. VALVE GUIDE REPLACEMENT, kecuali penggantian valve guide)		6	14456-KG2-950	PLATE, VALVE ROCKER ARM SHAFT SETTING	1		
SPRING, VALVE INNER.....	*3.4	7	14711-KBB-900	VALVE, IN.....	1		
(ADD 0.1 FOR EACH. tambahkan 0,1 untuk masing ²)		8	14721-KBB-900	VALVE, EX.....	1		
(INC. RELATIVE PART termasuk part yang berhubungan)		9	14751-383-005	SPRING, VALVE OUTER (NIPPON)..	2		
		10	14761-383-005	SPRING, VALVE INNER (NIPPON)..	2		
		11	14771-107-020	RETAINER, VALVE SPRING.....	2		
		12	14775-107-000	SEAT, VALVE SPRING OUTER.....	2		
		13	14776-107-010	SEAT, VALVE SPRING INNER.....	2		
		14	14781-MB4-000	COTTER, VALVE.....	4		
		15	90012-KN6-930	SCREW, TAPPET ADJUSTING.....	2		
		16	90206-250-000	NUT, TAPPET ADJUSTING.....	2		
		17	93600-06016-0A	SCREW, FLAT, 6X16.....	1		